

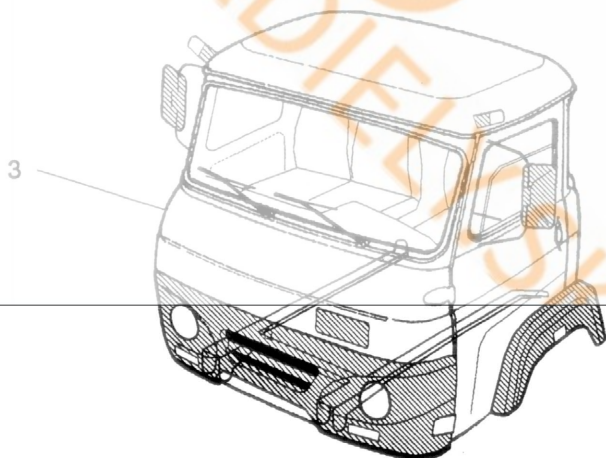
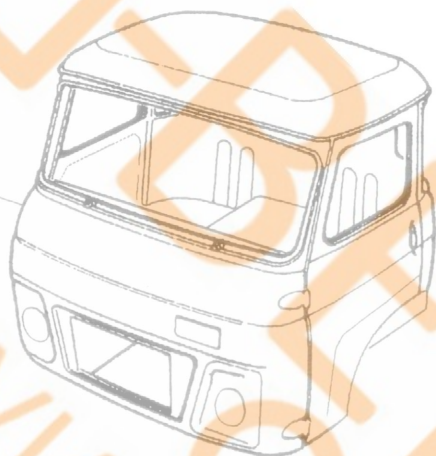
81 BODY
84,85 EQUIPMENT OF BODY AND FRAME
89 HEATING EQUIPMENT

81 KAROSERIE
84,85 VÝBAVA KAROSERIE A RÁMU
89 TOPENÍ

WWW.AVIADIELY.SR

WWW.AVIADIELY.SR

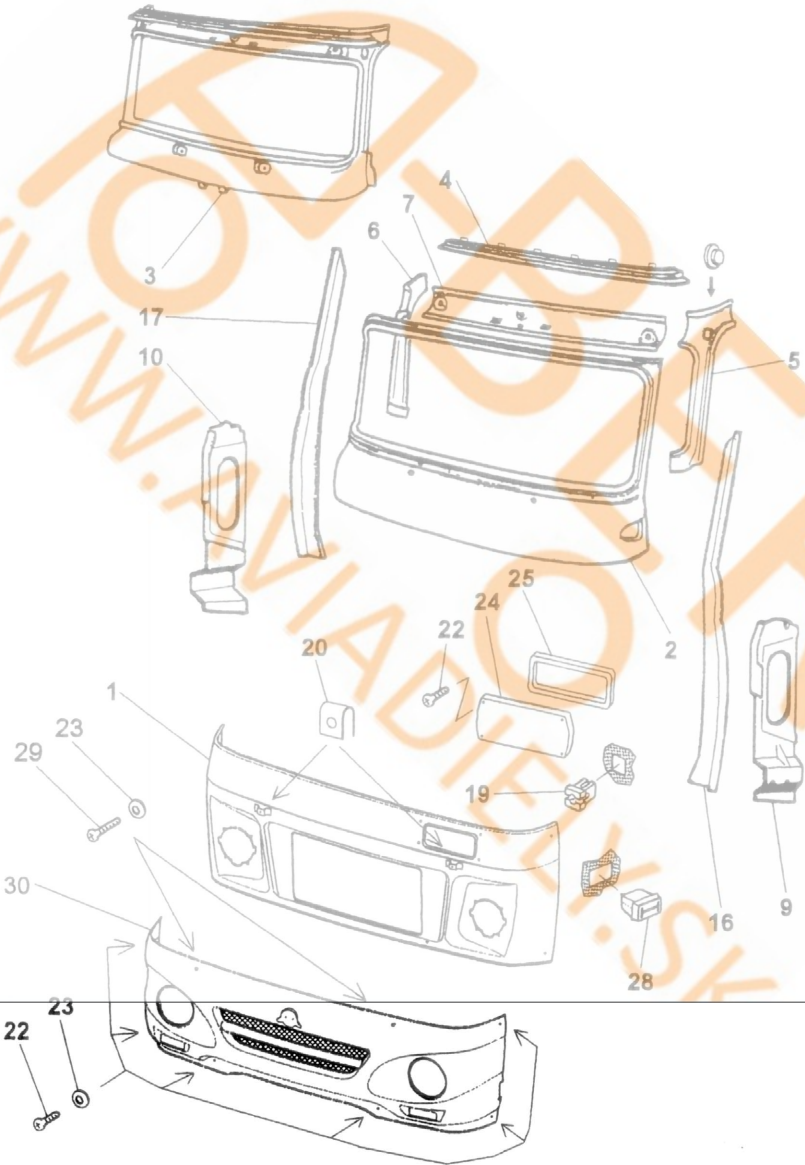
81.05.0



81.20.0

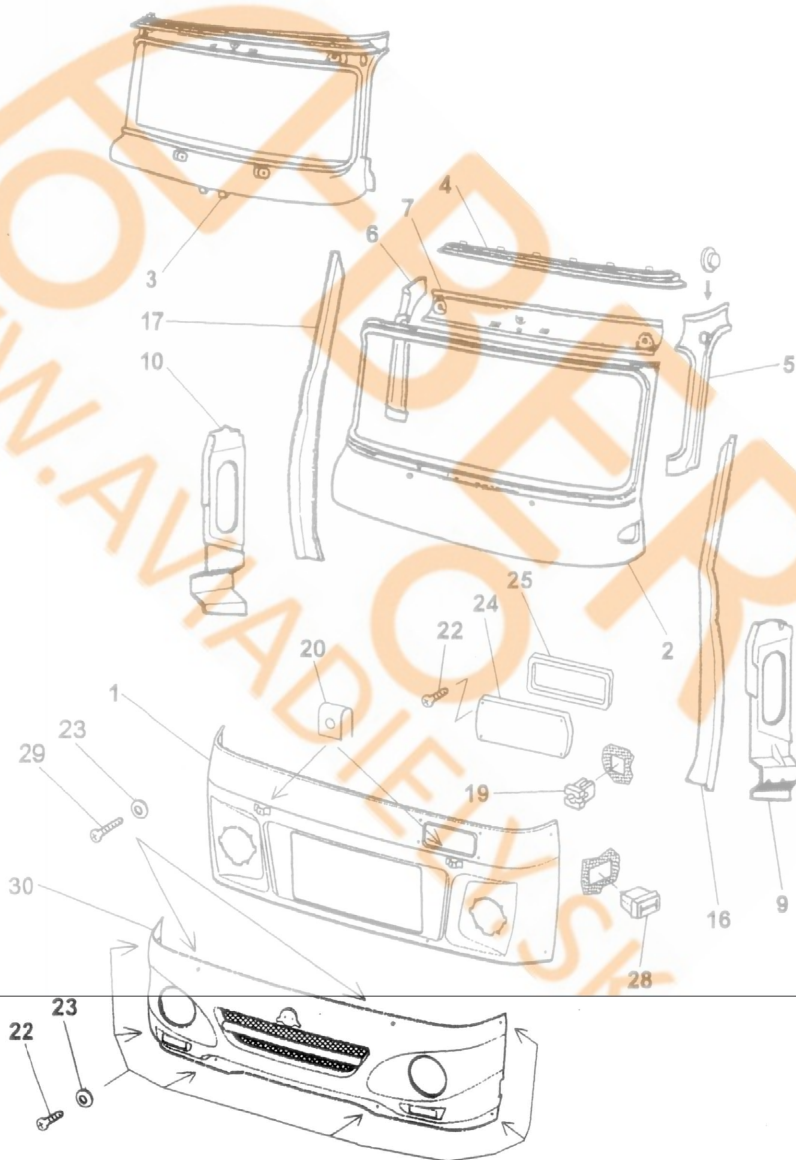
Type

AG0, 75



Key No.	Obj
01	36
02	36
03	36
04	36
05	36
06	36
07	36
09	36
10	36
16	36
17	36
19	36
20	36
22	36
22A	98
23	36

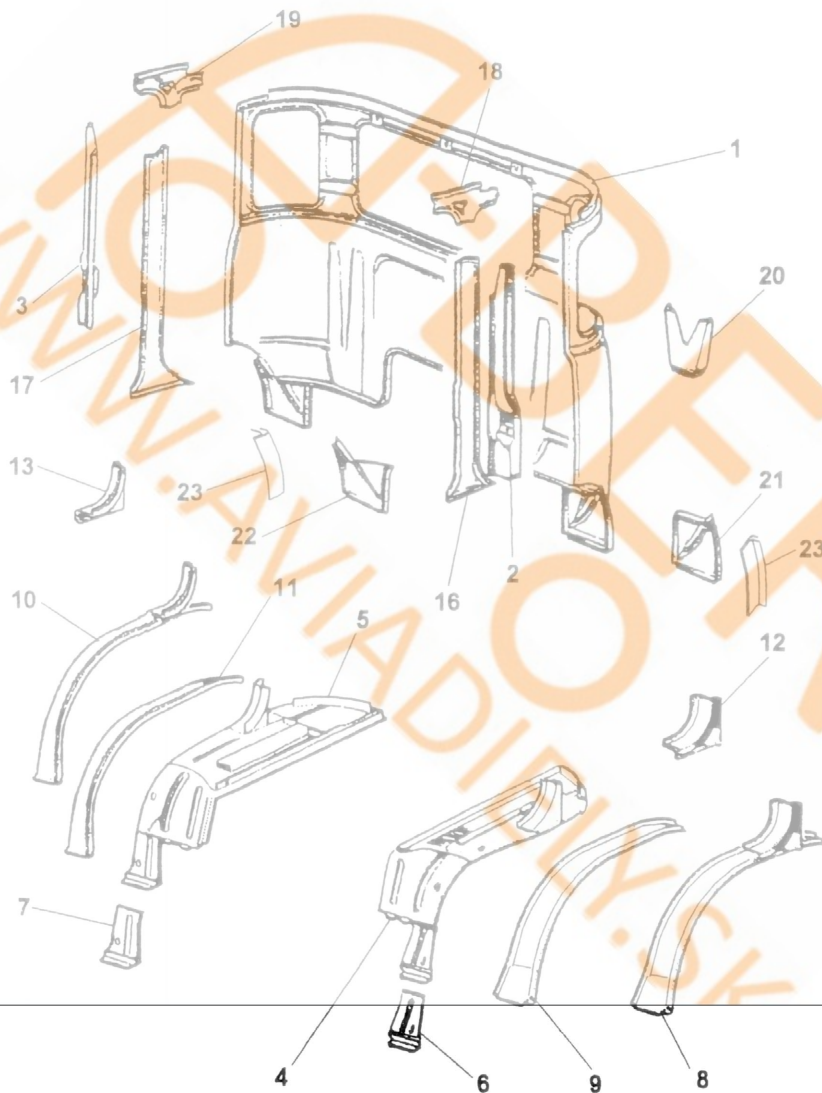
81.20.0



81.25.0

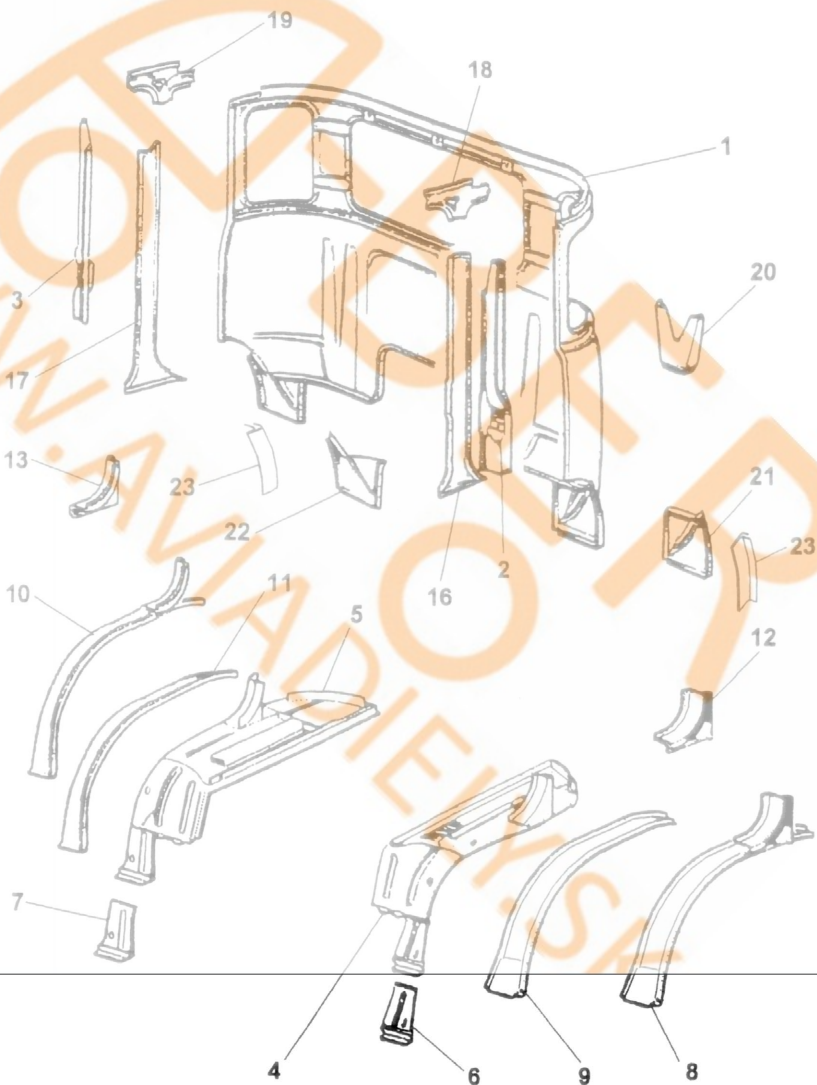
Type

A60,75



Key No.	Order No.	Object
01	366-	
02	362-	
03	362-	
04	366-	
05	366-	
06	360-	
07	360-	
08	362-	
09	360-	
10	362-	
11	360-	
12	362-	
13	362-	
16	366-	
17	366-	
18	366-	

81.25.0



81.30.0

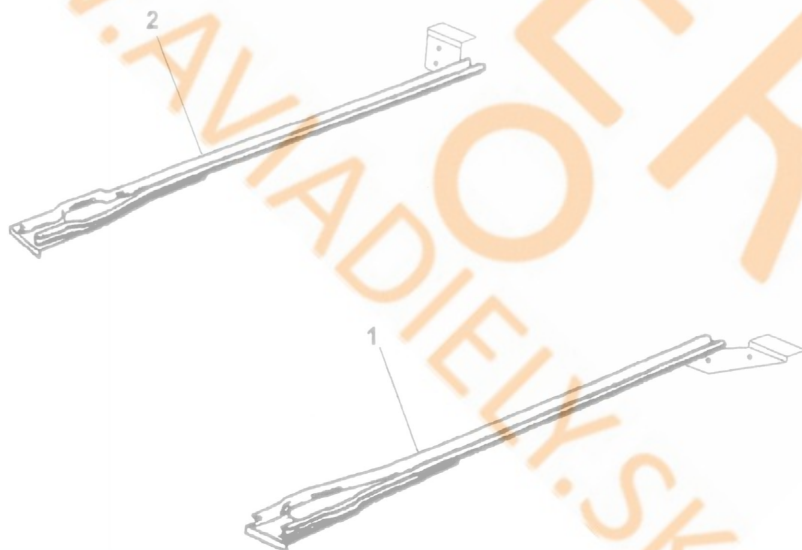
Type

A60, 7

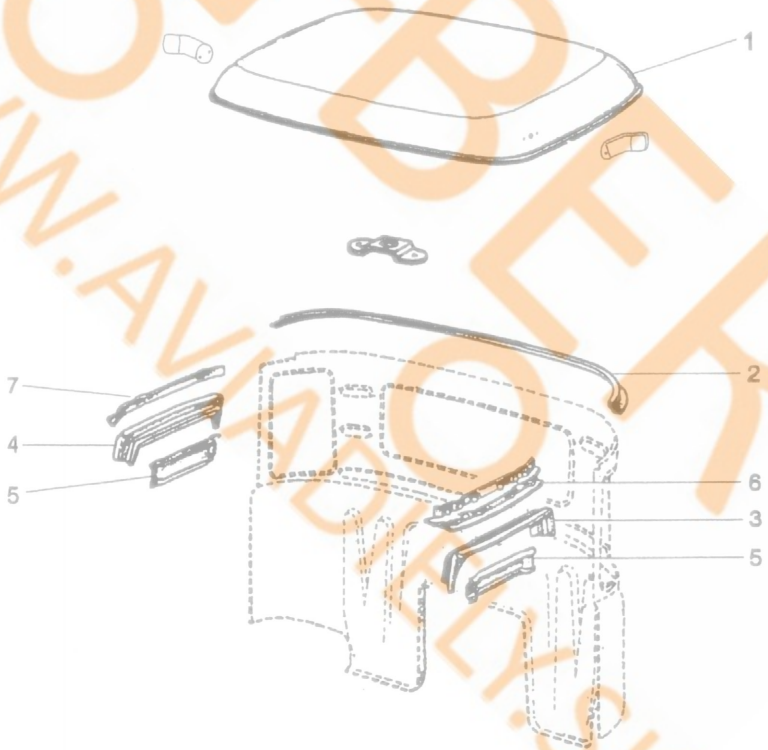
Key No.	0
---------	---

01	3
----	---

02	3
----	---



81.35.0



81.40.0

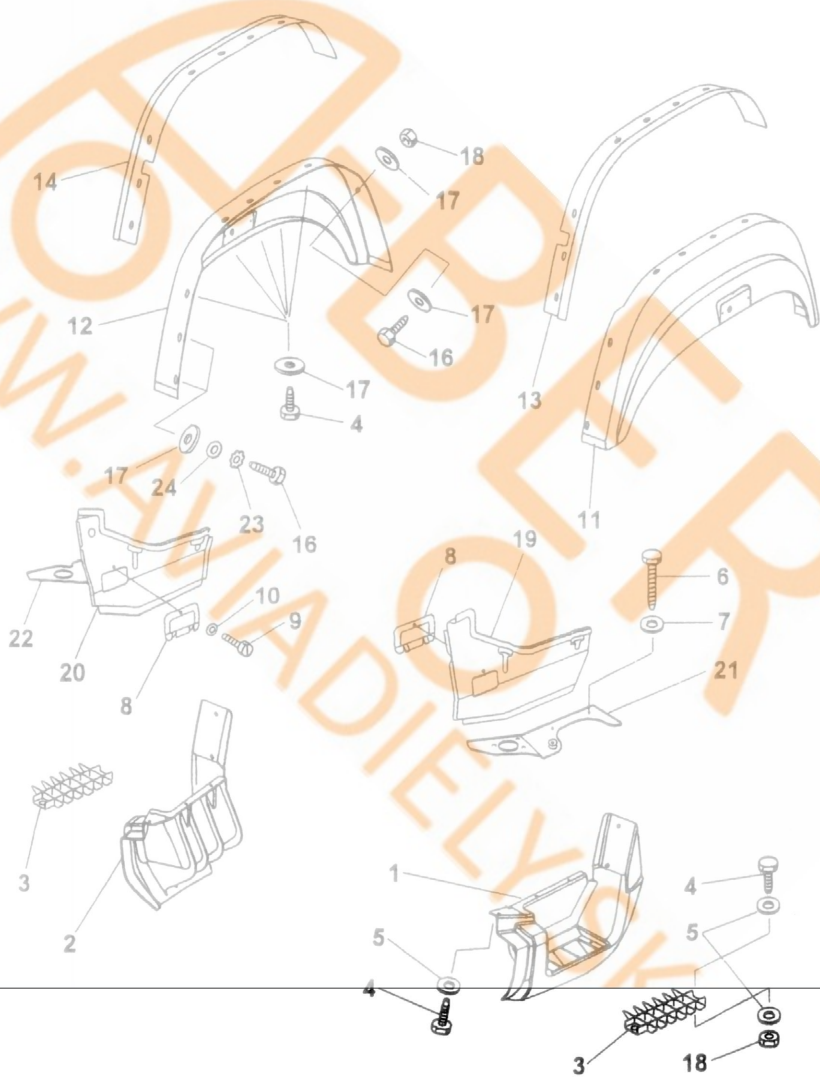
Type

A60,75,8



Key No.	Order Objed
01	366-7
02	366-7
03	366-7
04	971-2
05	992-7
06	366-7
07	992-7
08	360-7
09	979-5
10	992-7
11	366-7
12	366-7
13	366-7
14	366-7
16	971-2
17	362-7
18	992-4

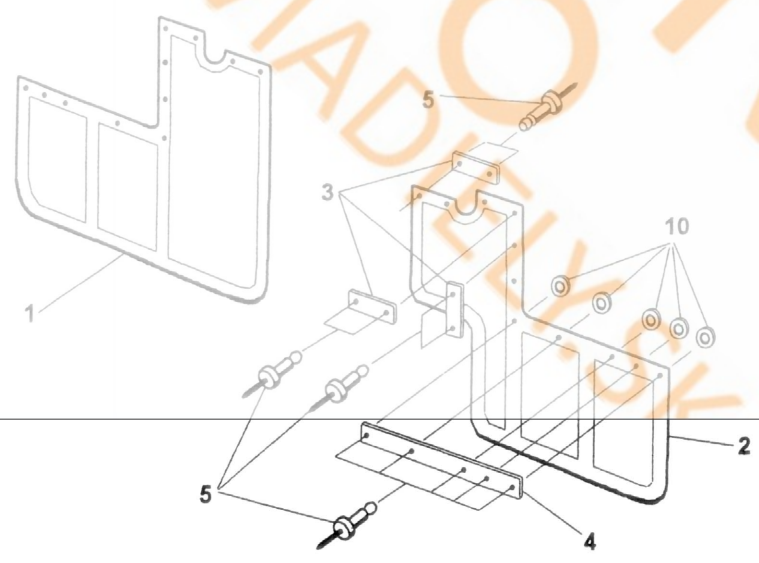
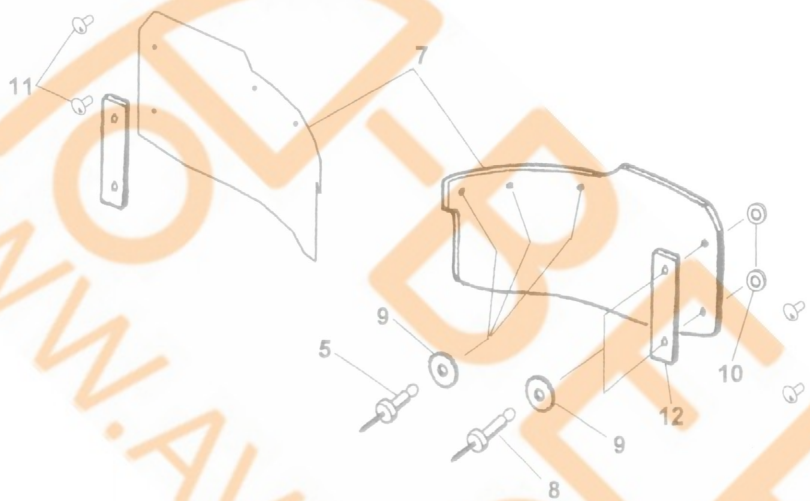
81.40.0



81.50.0

Type

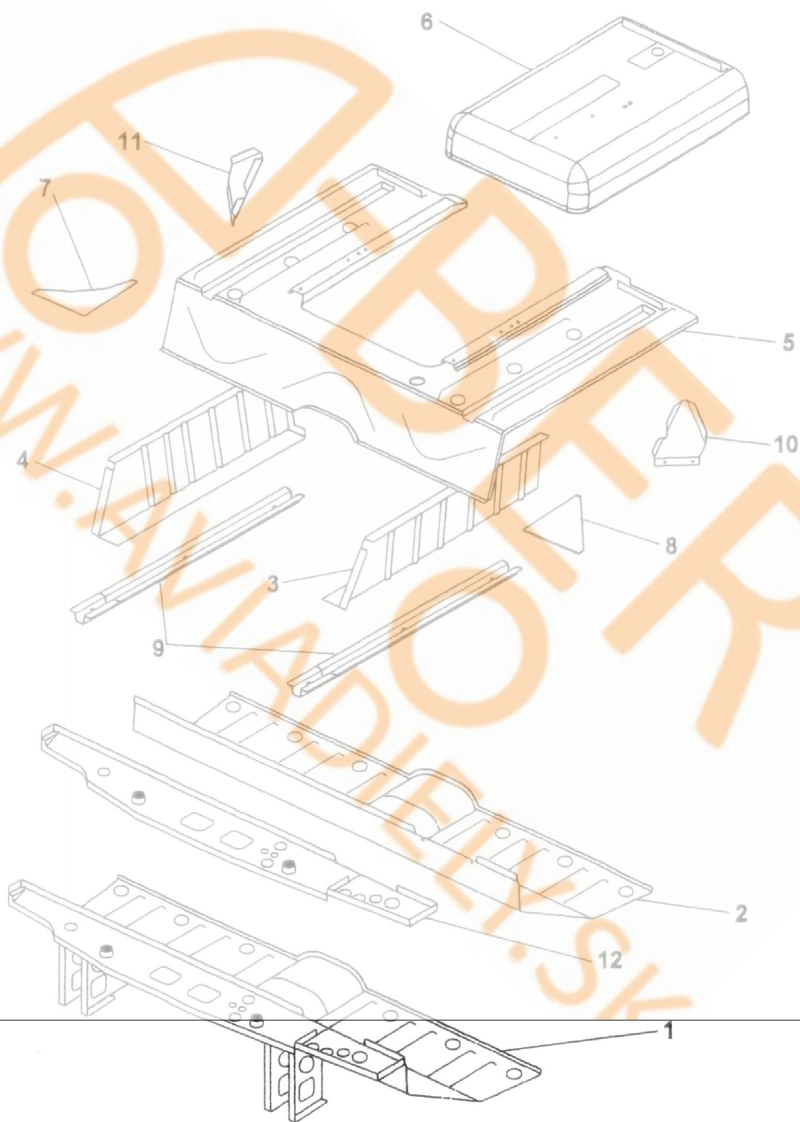
A60,



Key No.

01
02
03
04
05
07
08
09
10
11
12

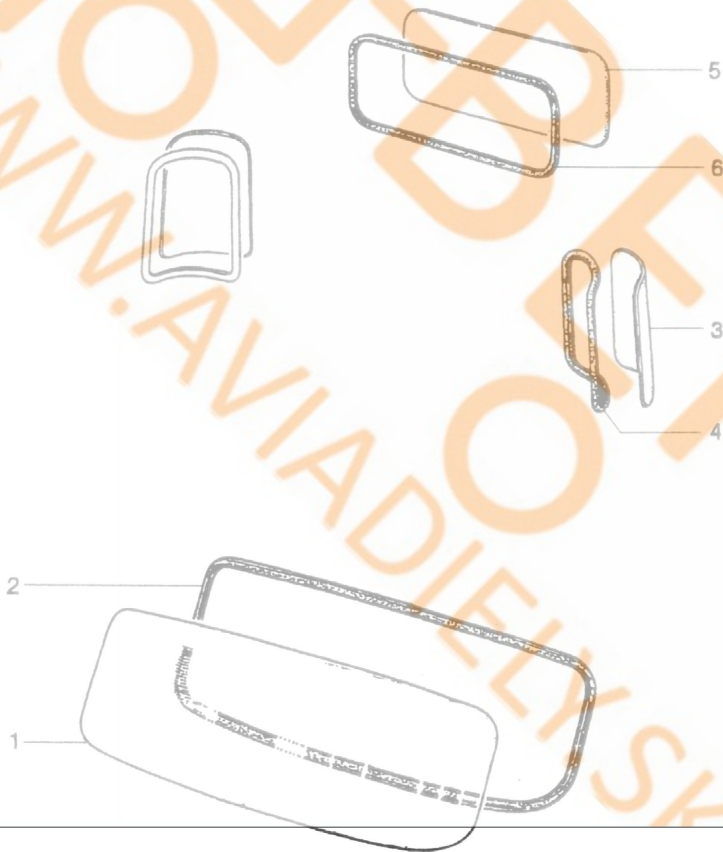
81.55.0



81.70.0

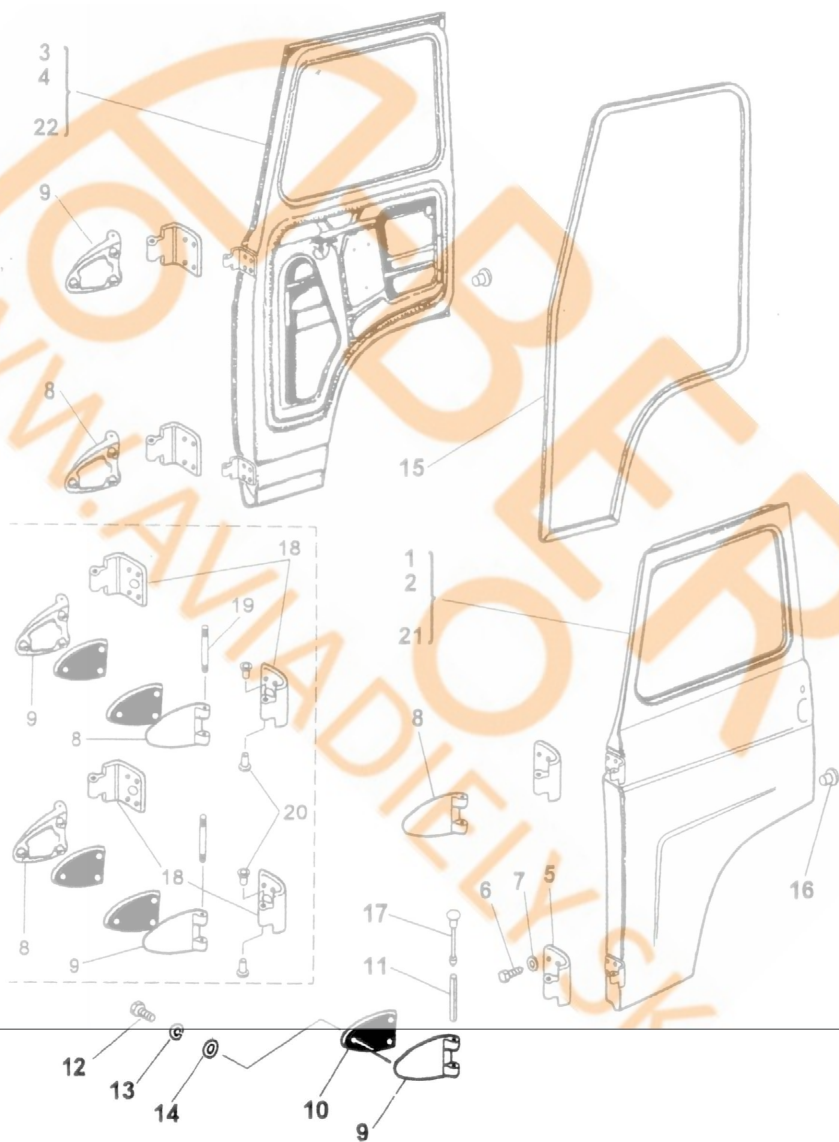
Type

A60,75,



Key No.	Order No.	Object
01	360	
02	360	
03	362	
04	360	
05	360	
06	360	

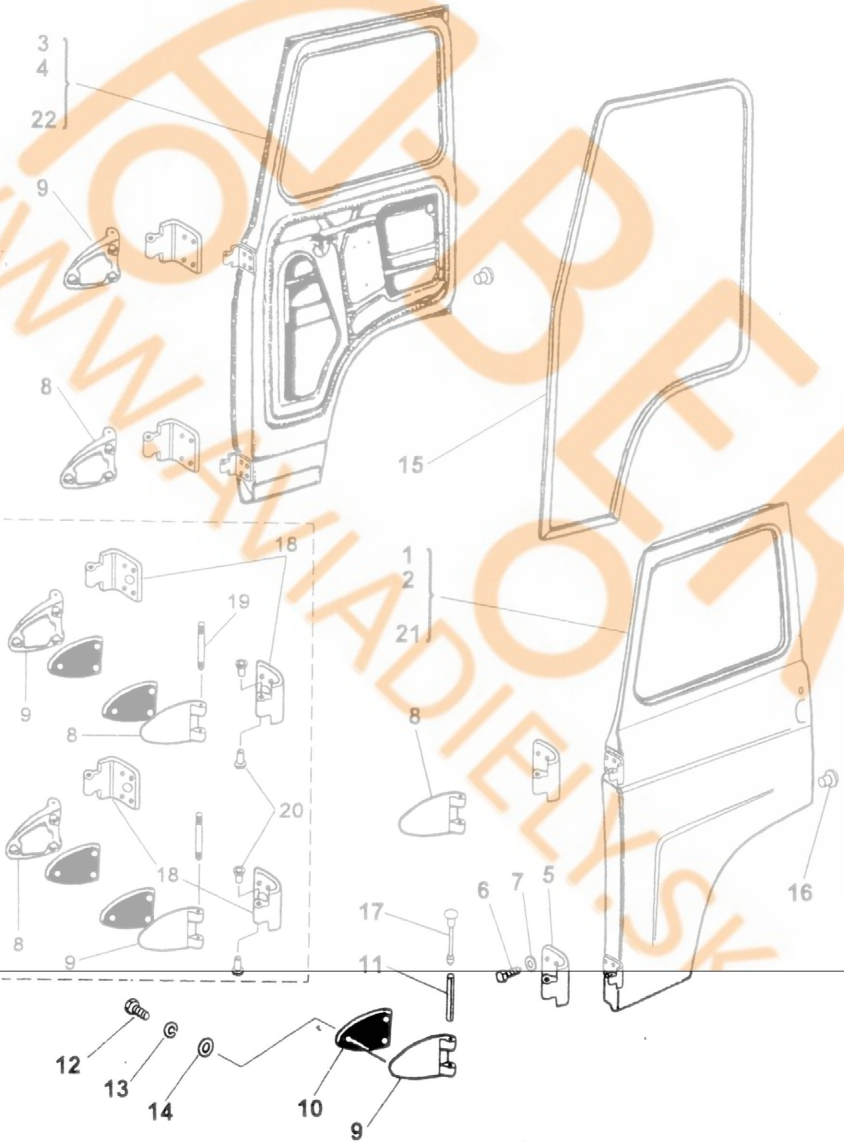
81.75.0



81.75.0

Type

A60, 7



Key No.	Or. No.
---------	---------

16	30
----	----

17	30
----	----

18	30
----	----

19	30
----	----

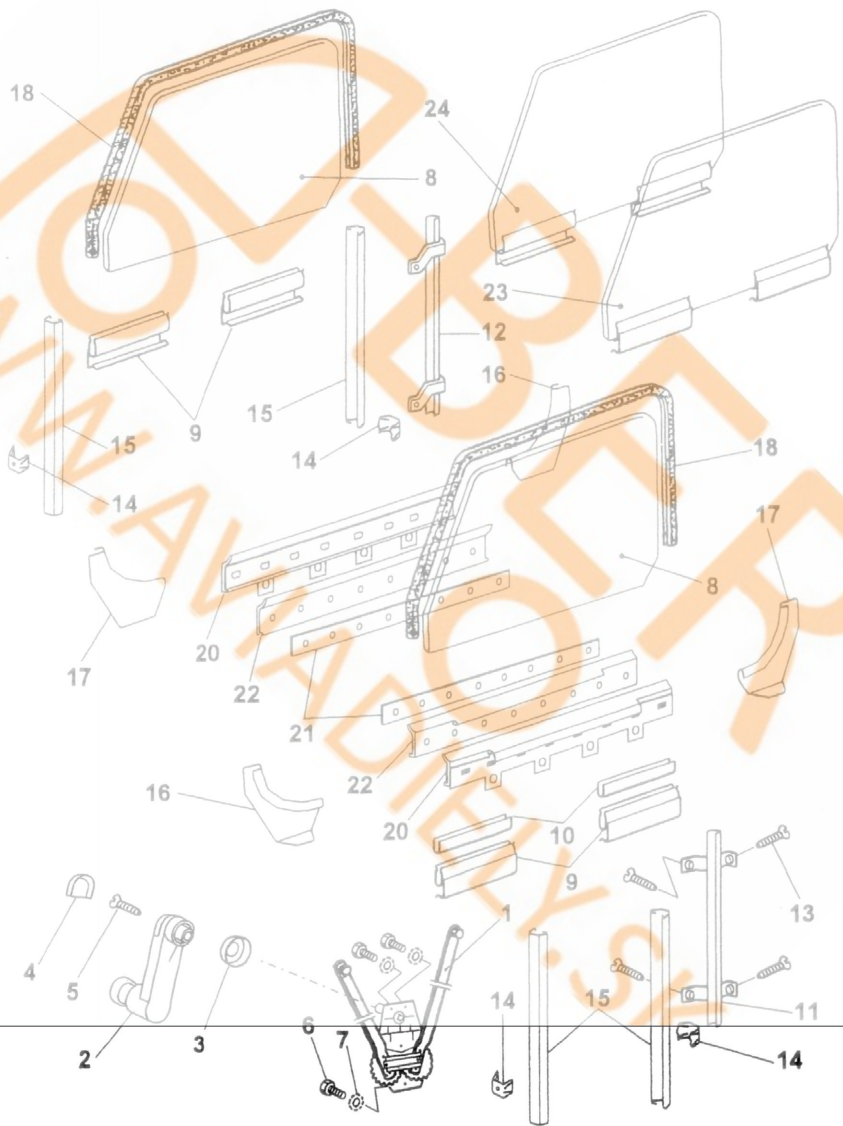
20	30
----	----

21	30
----	----

22	30
----	----

22	30
----	----

81.80.0



81.80.0

Type

A60, 7

Key No.	0
---------	---

17	3
----	---

18	9
----	---

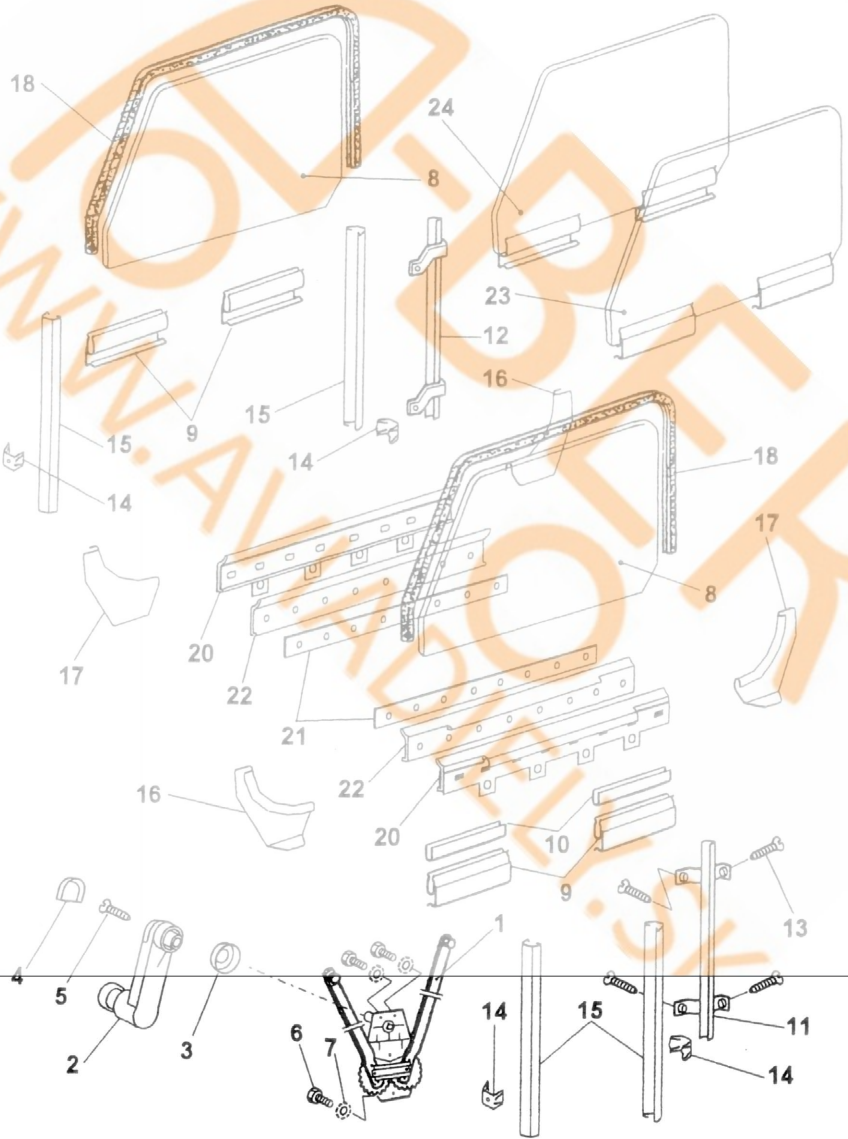
20	3
----	---

21	3
----	---

22	3
----	---

23	3
----	---

24	3
----	---



23	3
----	---

24	3
----	---

24	3
----	---

24	3
----	---

24	3
----	---

24	3
----	---

24	3
----	---

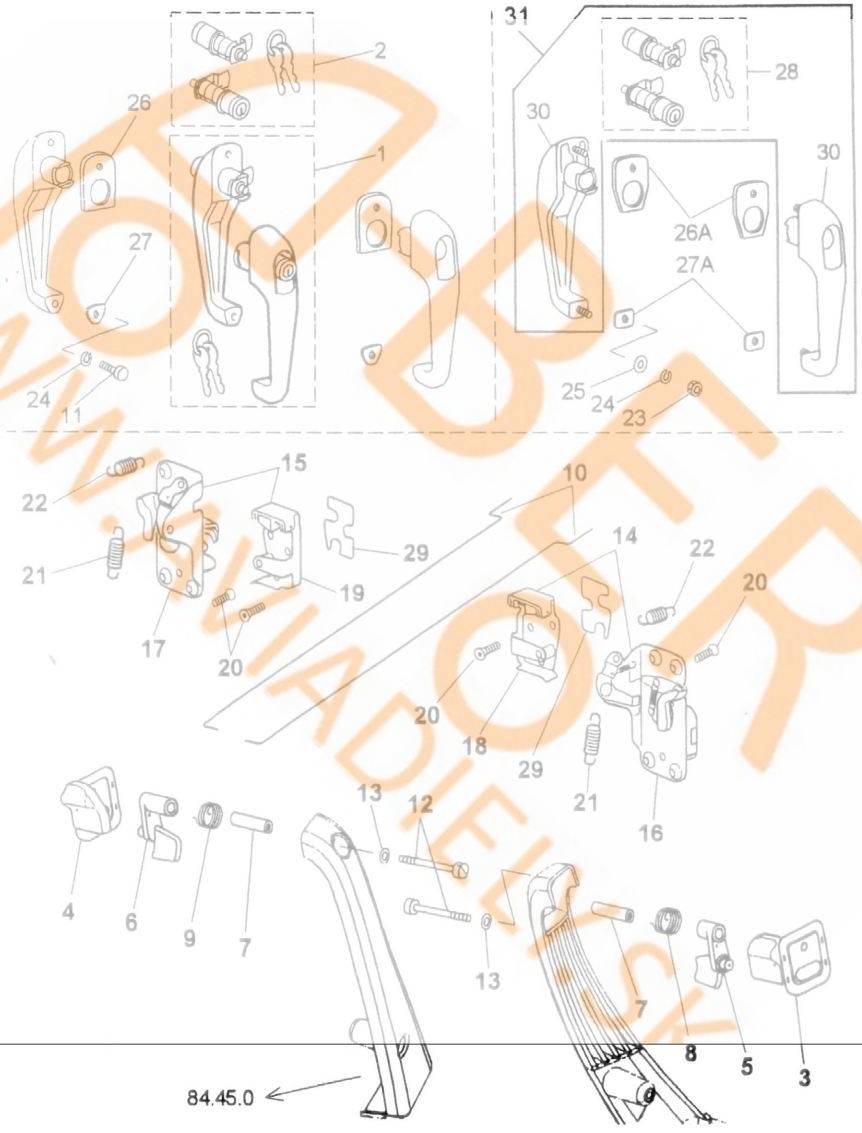
24	3
----	---

24	3
----	---

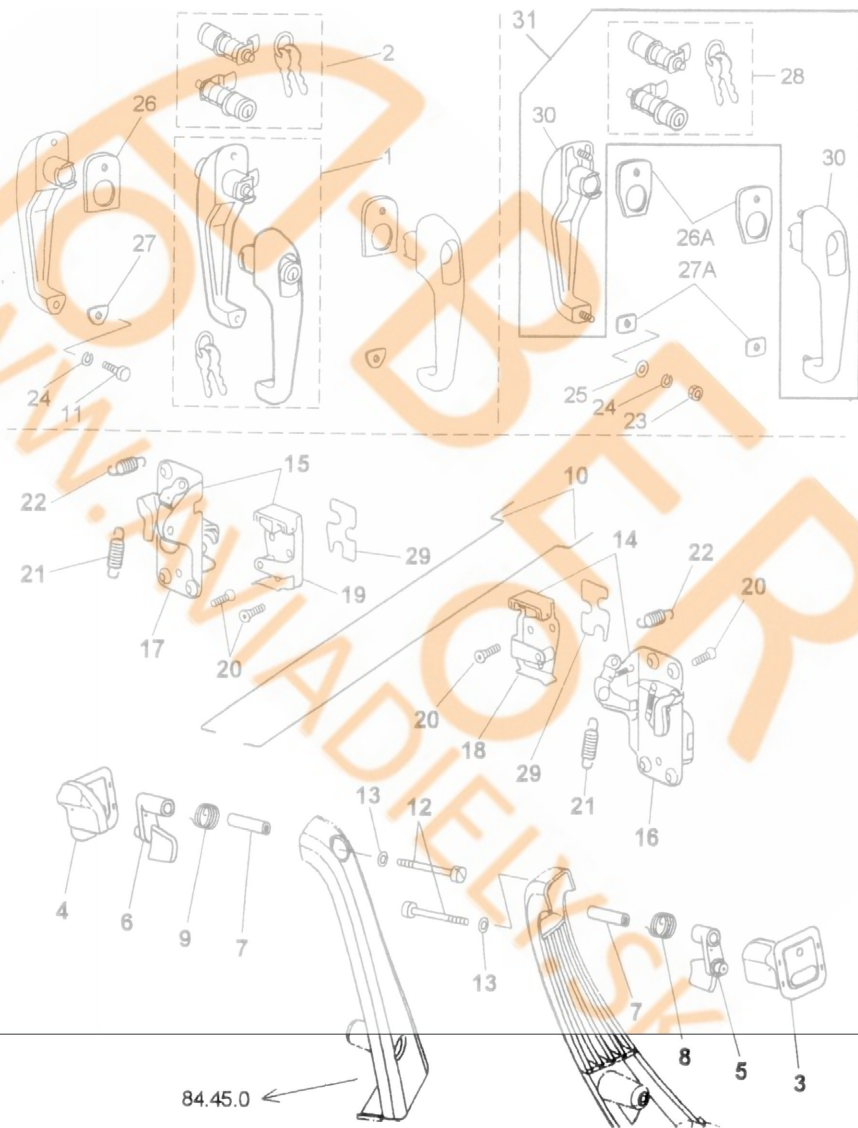
24	3
----	---

81.85.0

Typ
A60
Ver
Ke
No
01
02
03
04
0
0
0
0
1
1
1
1



81.85.0



WWW.AVIADIELY.SK



DAEWOO



PARTS • C
KATALO

A60,7

81.86.0

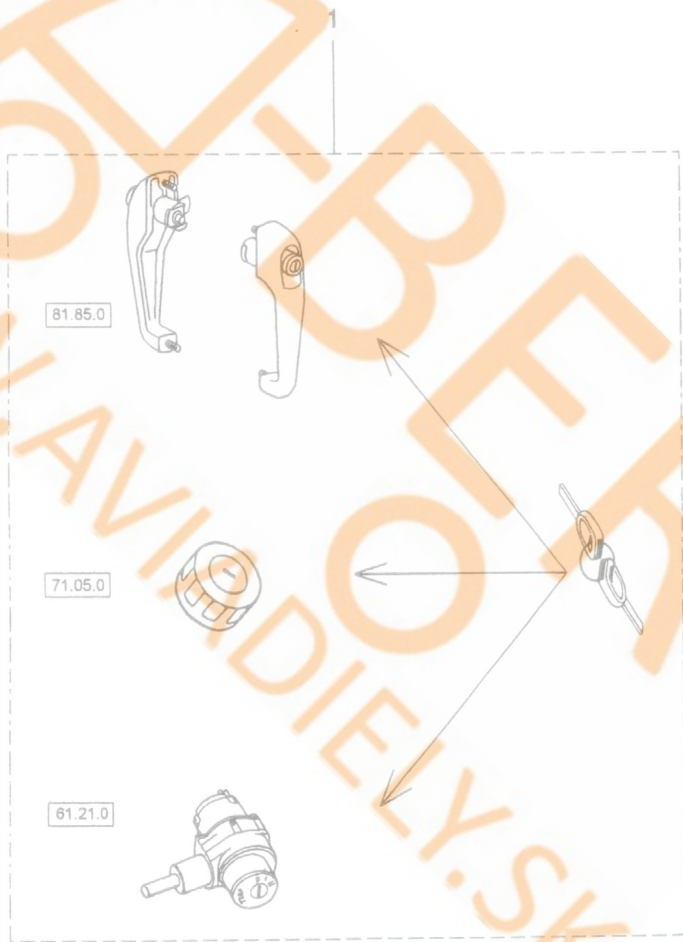
Typ

A60

Ke

No

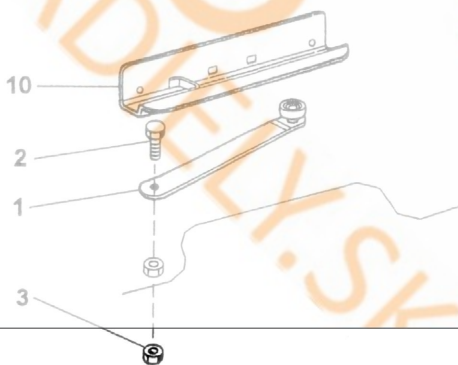
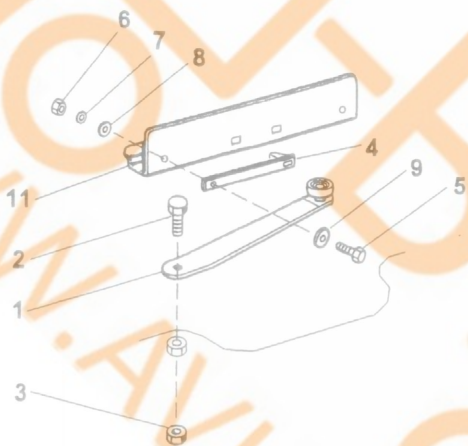
01



81.95.0

Type

A60



Key
No.

01

02

03

04

05

06

07

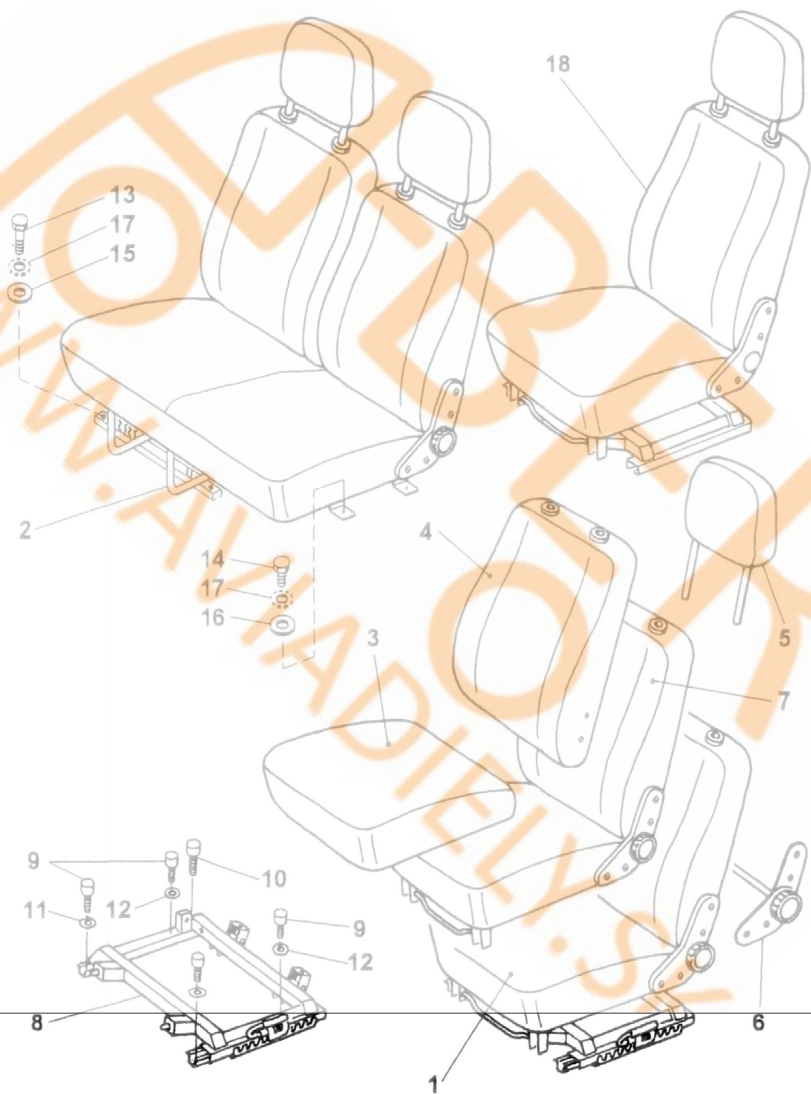
08

09

10

11

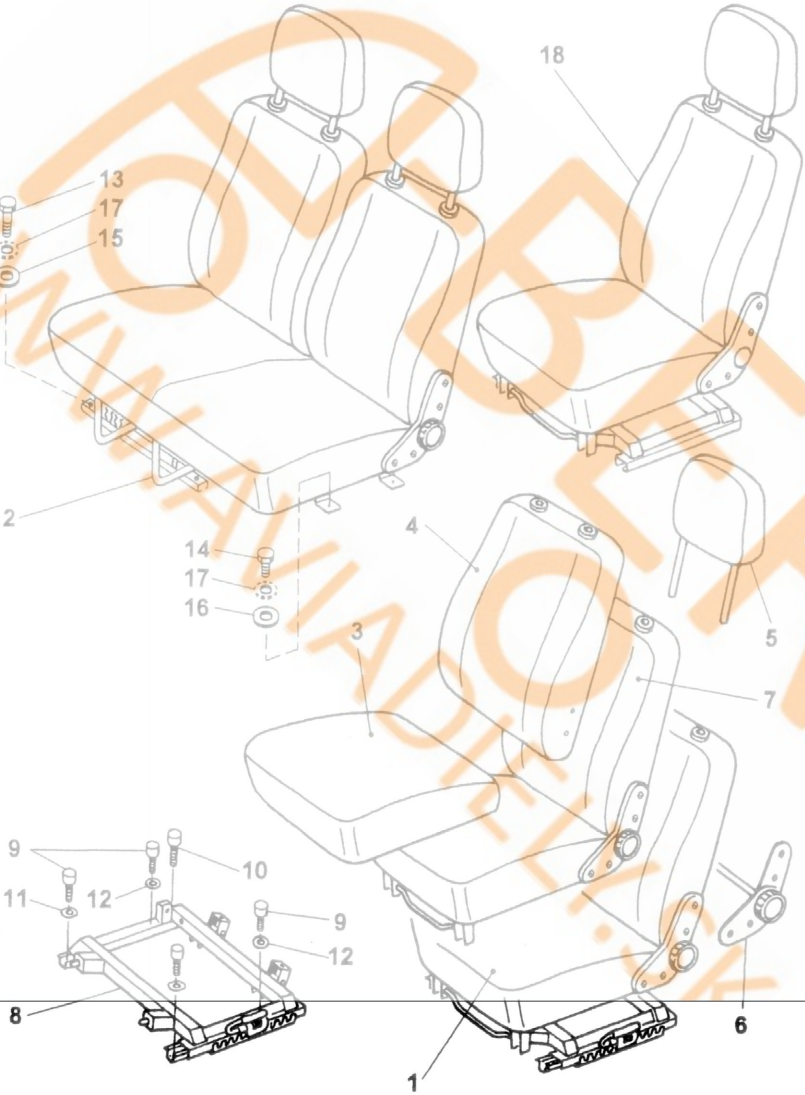
84.05.0



84.05.0

Type

A60, 75

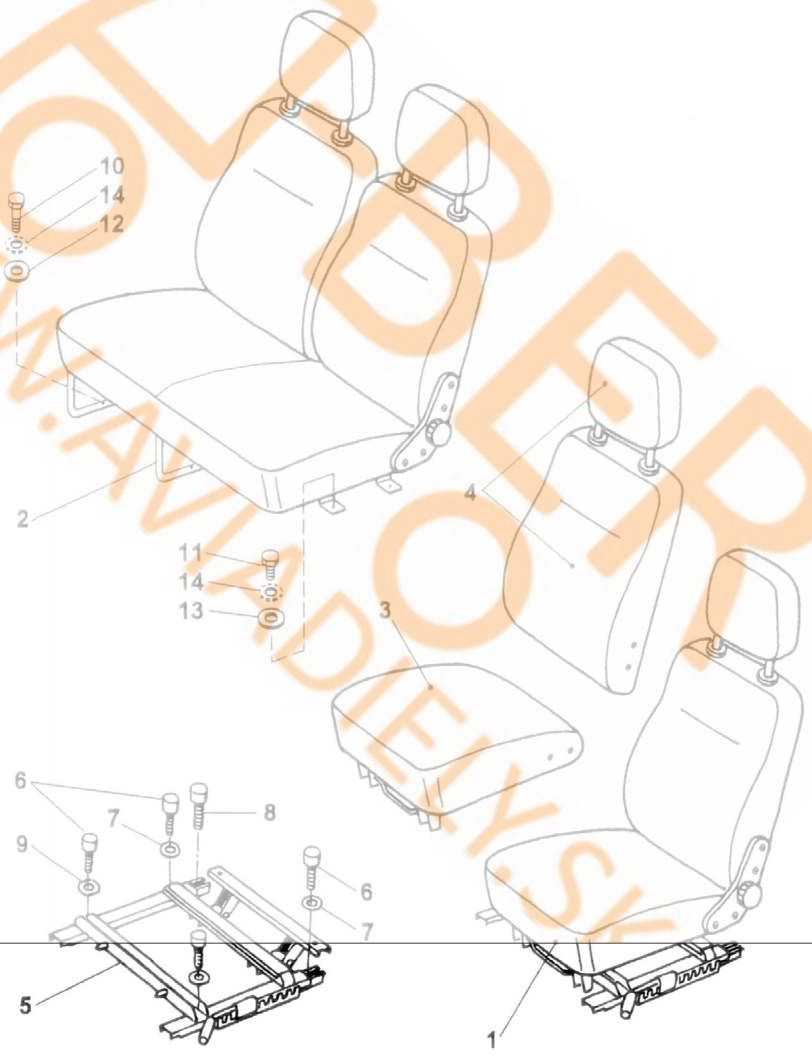


Key No.	Ord Obj
---------	---------

17	992
----	-----

18	366
----	-----

84.10.0



A7

AVIADIELY
WWW.AVIADIELY.SK

DA

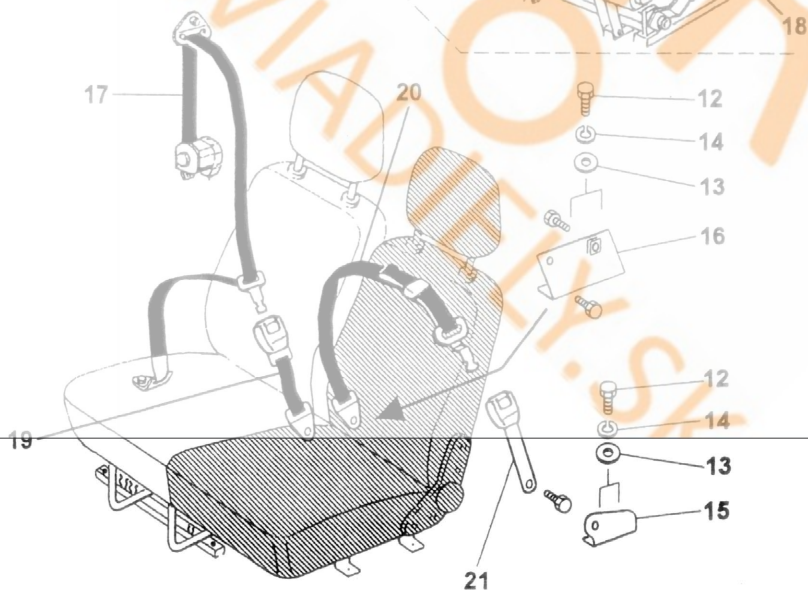
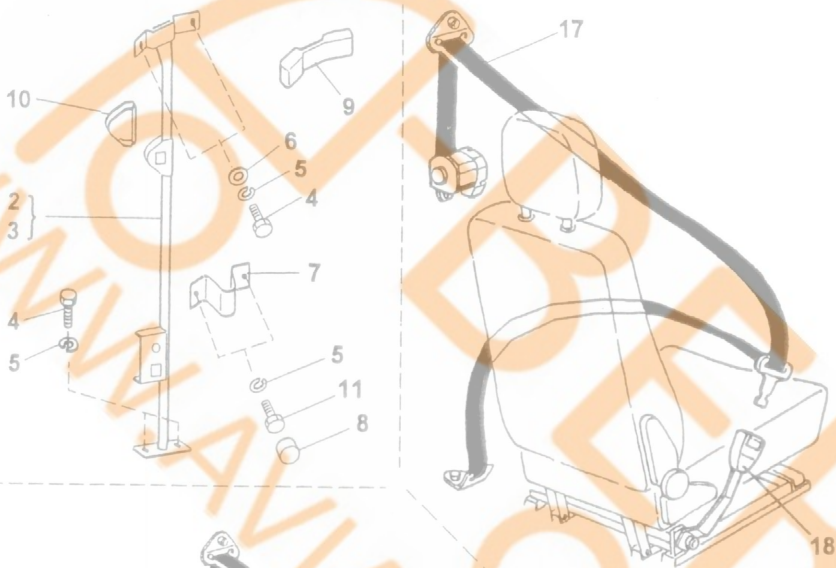
PAR
K

Ac

84.15.0

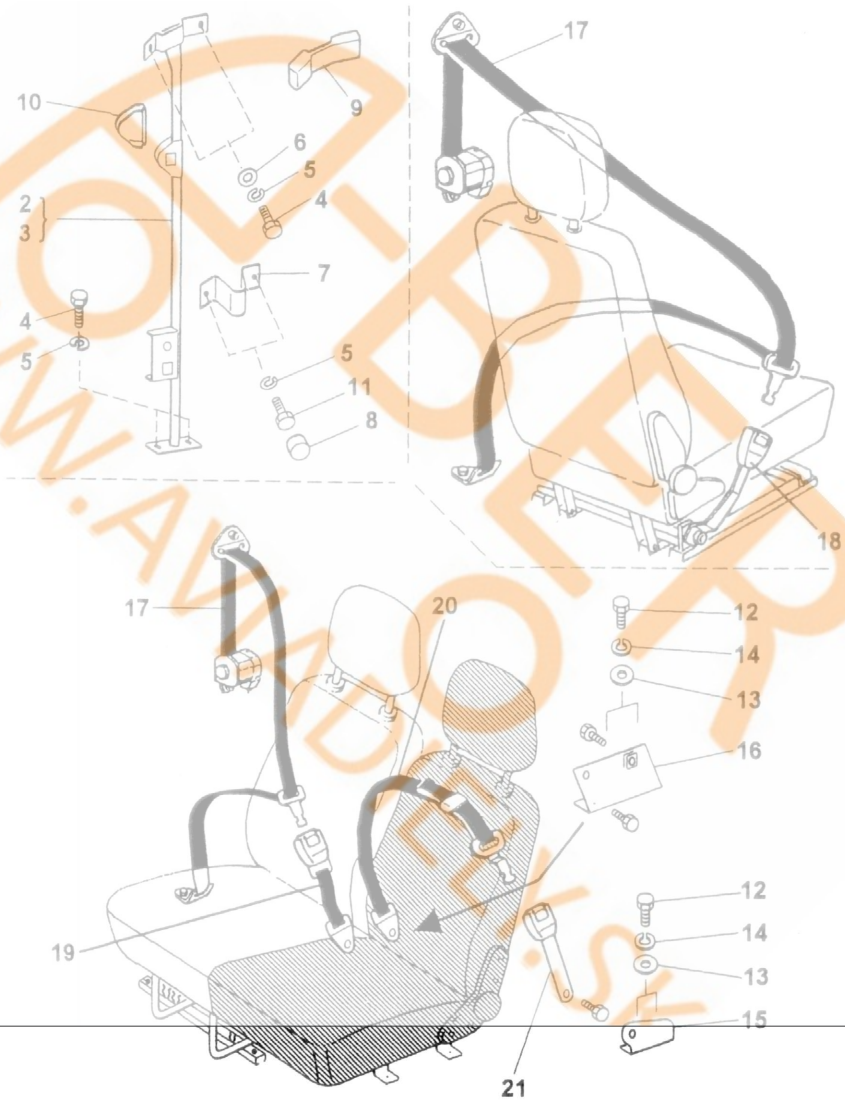
Type

A60, 75,



Key No.	Order No.	Obj.
02	365	
03	365	
04	971	
05	992	
06	992	
07	365	
08	365	
09	366	
10	366	
11	971	
12	971	
13	992	
14	992	
15	366	
16	366	
17	366	

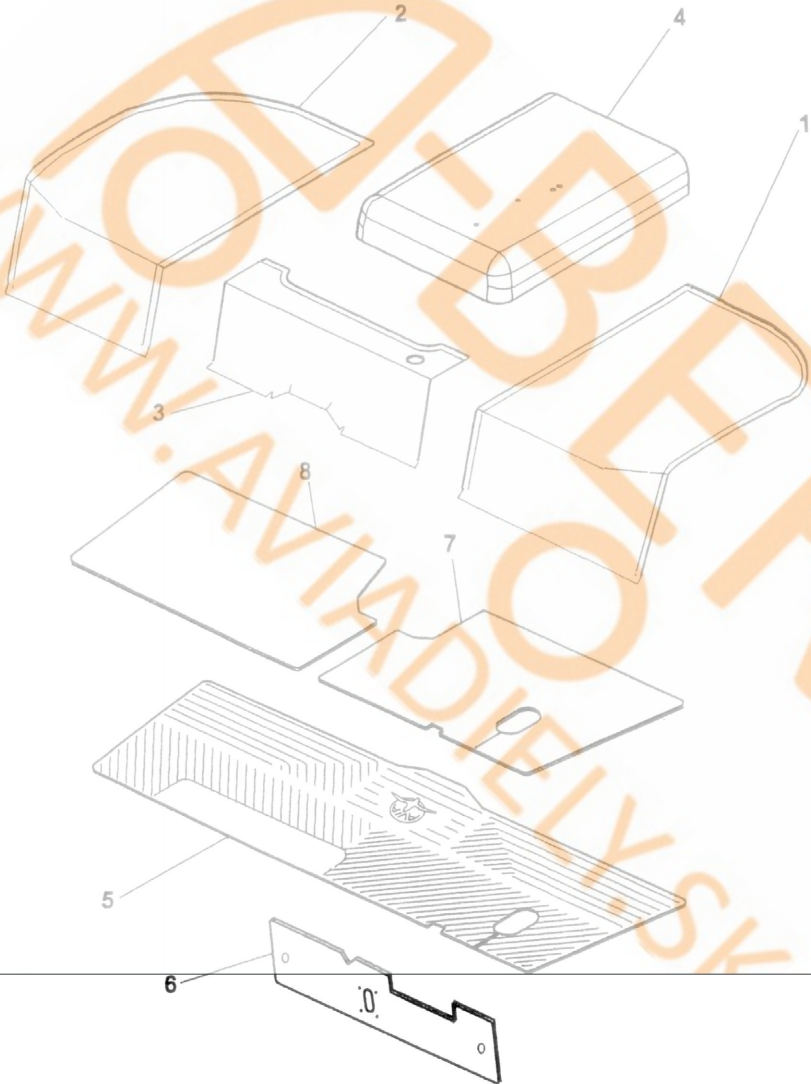
84.15.0



84.30.0

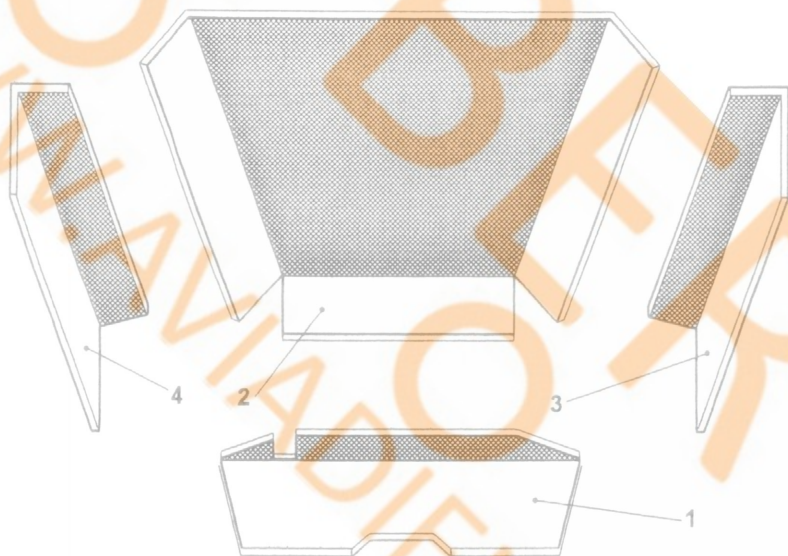
Type

A60,75



Key No.	Ord. No.	Obj.
01	366	
02	366	
03	366	
04	366	
05	366	
06	366	
07	366	
08	360	

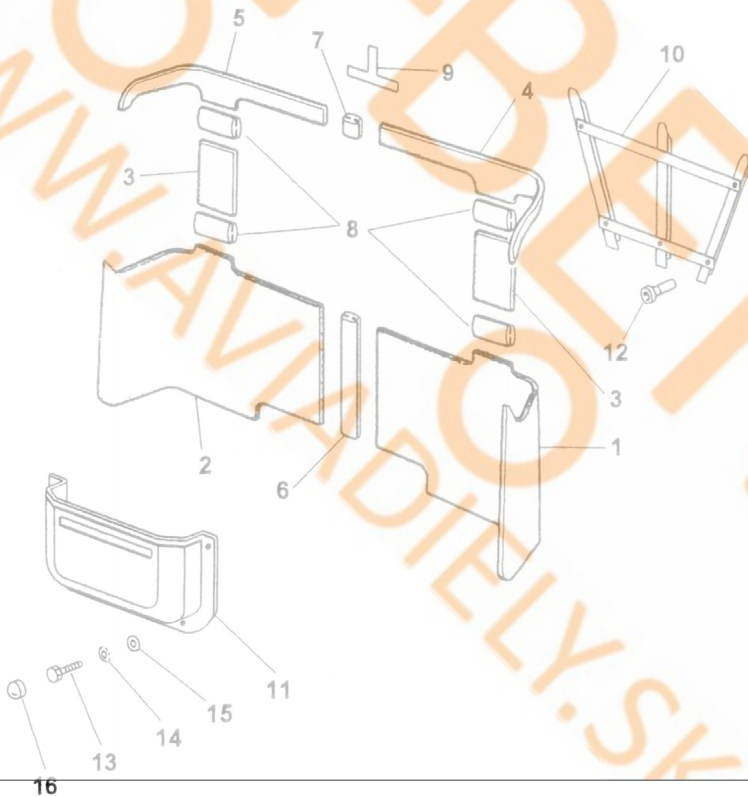
84.35.0



84.40.0

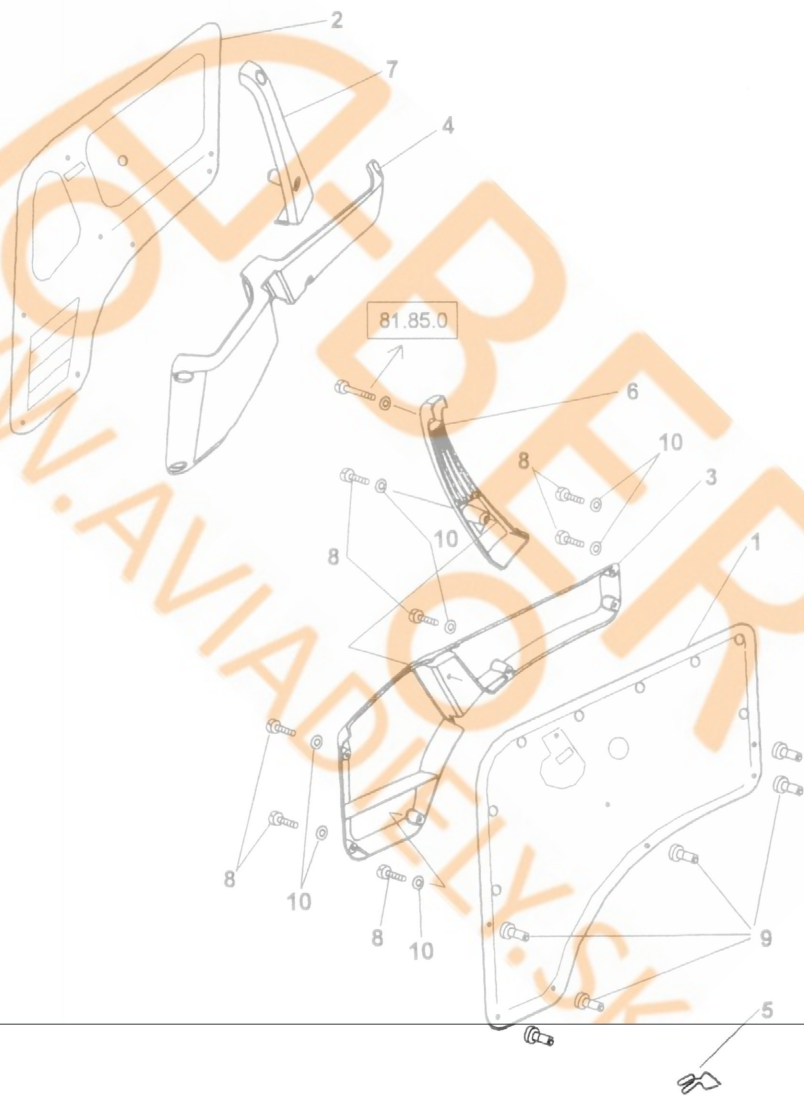
Type

A60,75



Key No.	Ord Obj
01	366
02	366
03	362
04	362
05	362
06	934
07	934
08	934
09	362
10	366
11	366
12	366
13	971
14	992
15	992
16	366

84.45.0



84.50.0

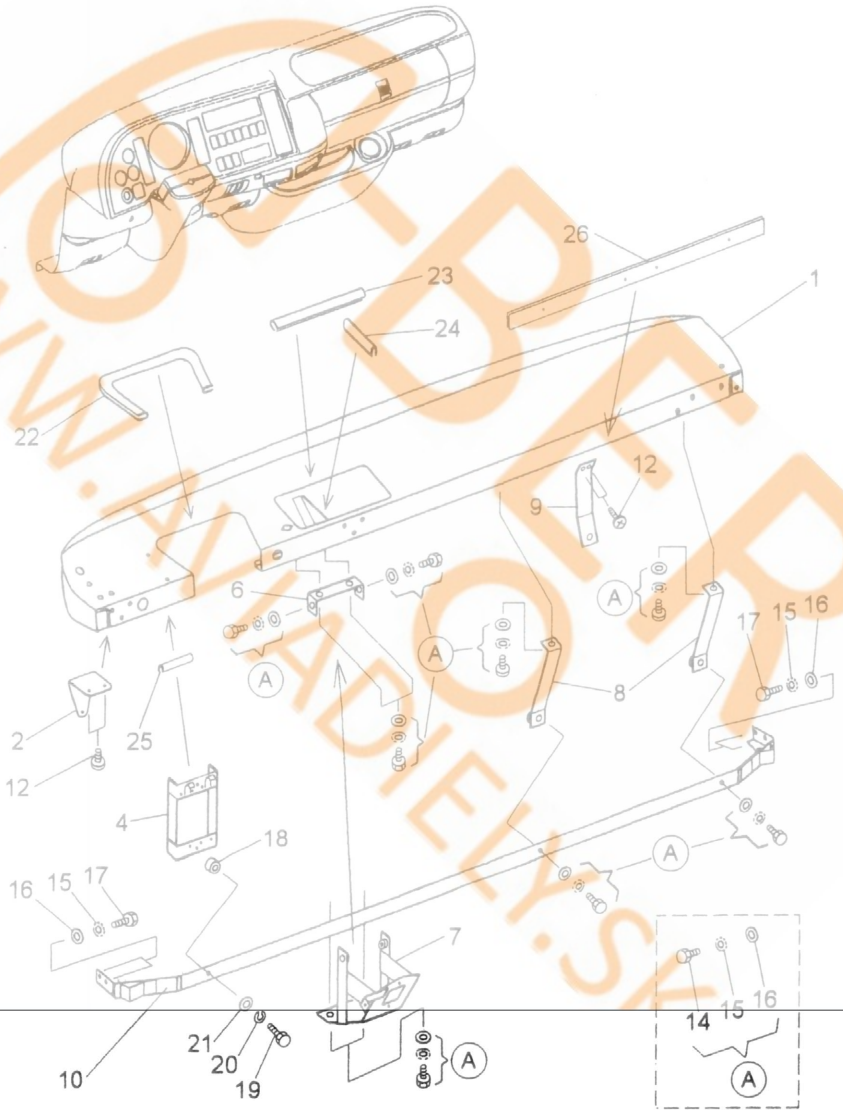
Type

A60,75,



Key No.	Order No.
01	363
02	363
03	934

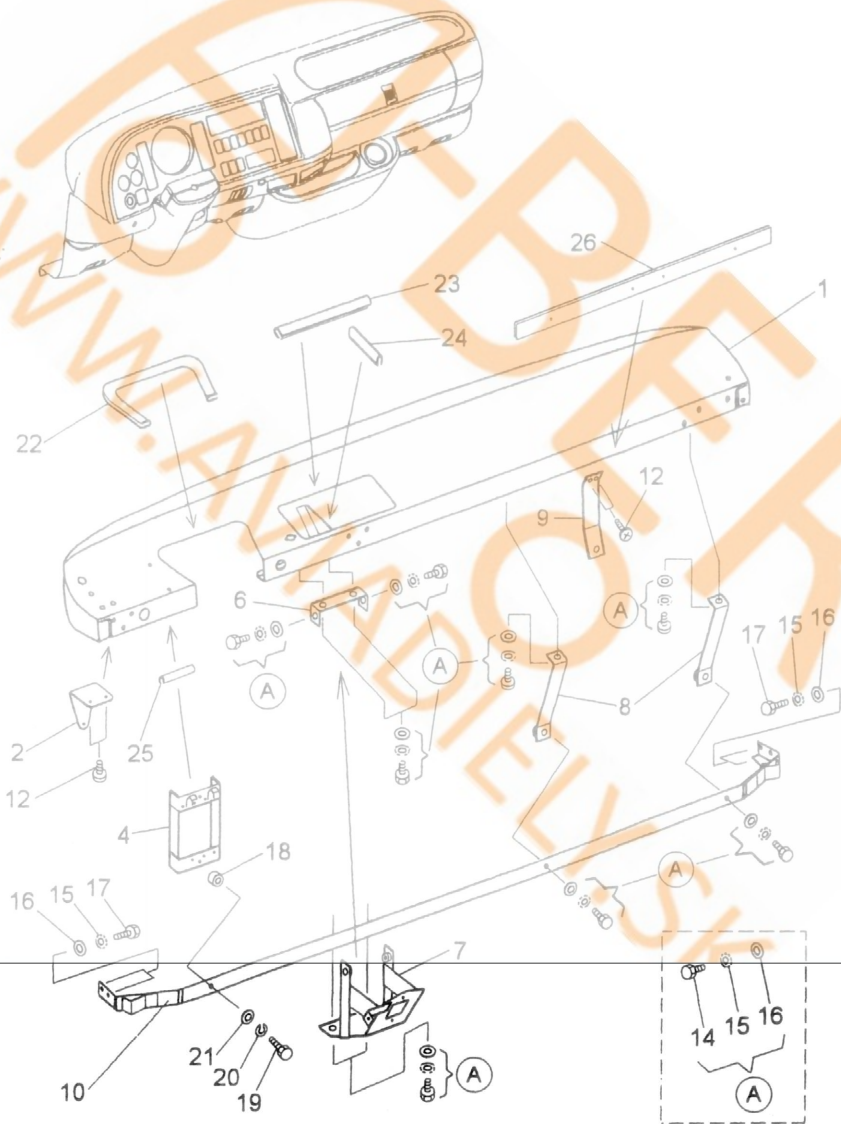
85.05.0



85.05.0

Type

A60,



Key
No.

21

22

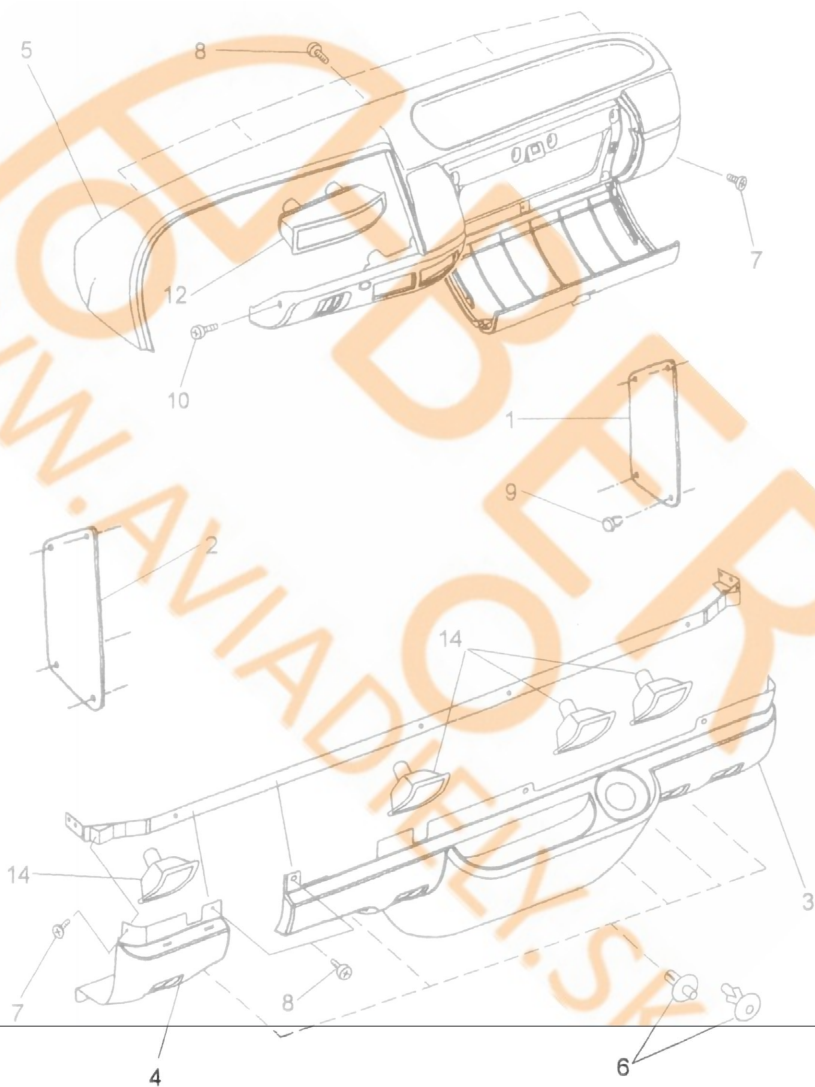
23

24

25

26

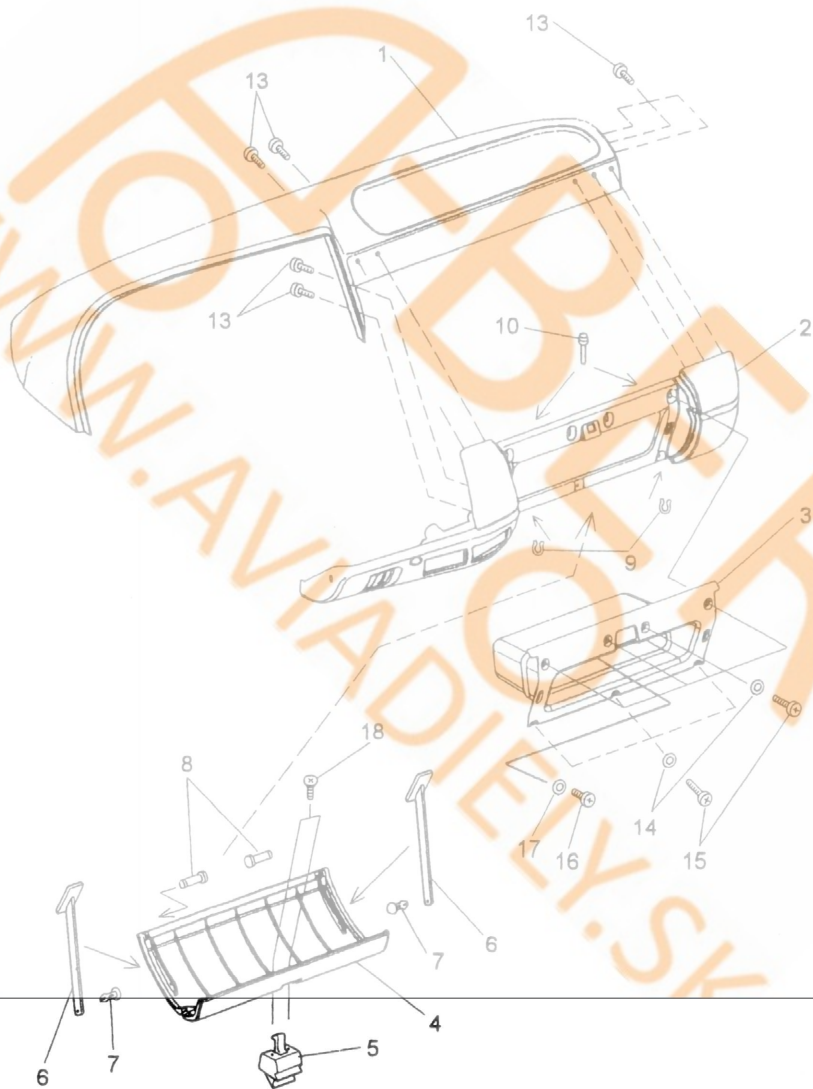
85.06.0



85.07.0

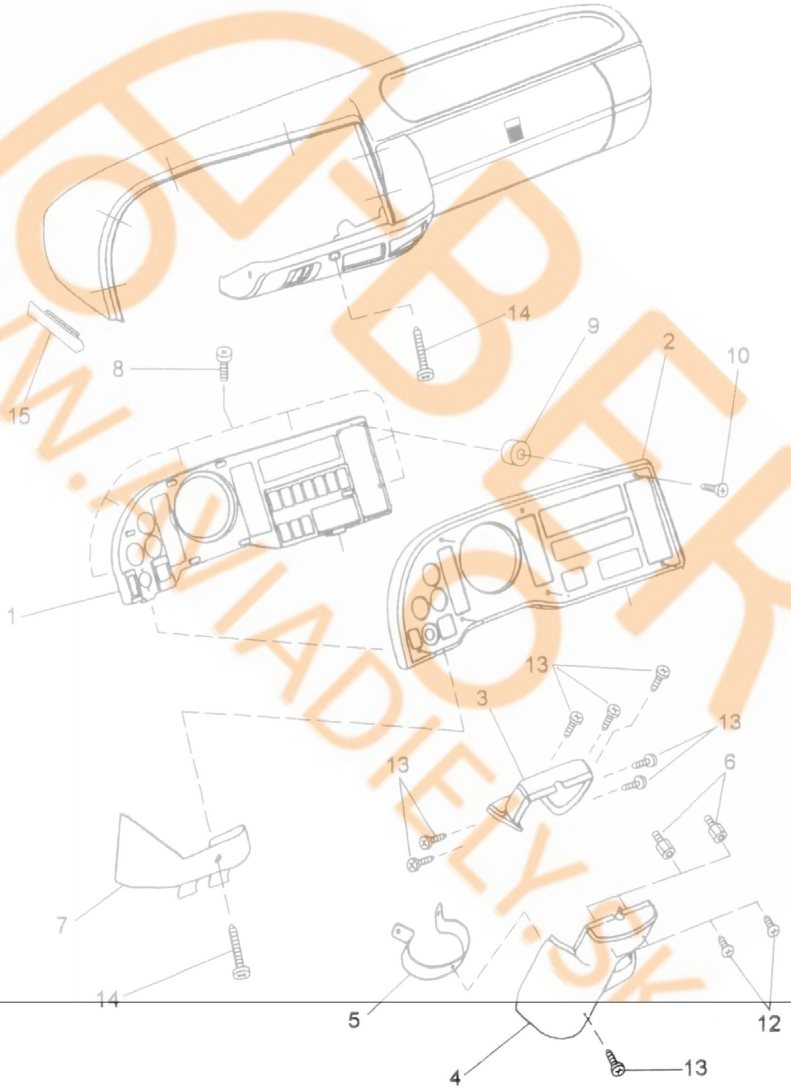
Type

A60,75

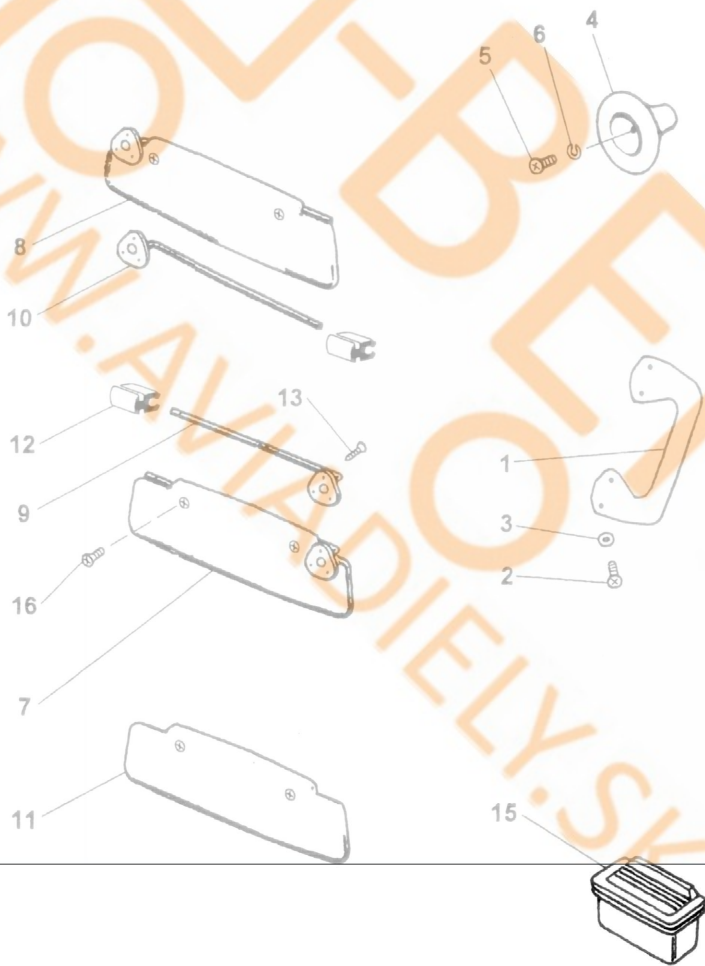


Key No.	Obj.
01	360
02	360
03	360
04	360
05	110
06	360
07	110
08	360
09	990
10	360
13	360
14	990
15	360
16	360
17	990
18	360

85.08.0



85.10.0

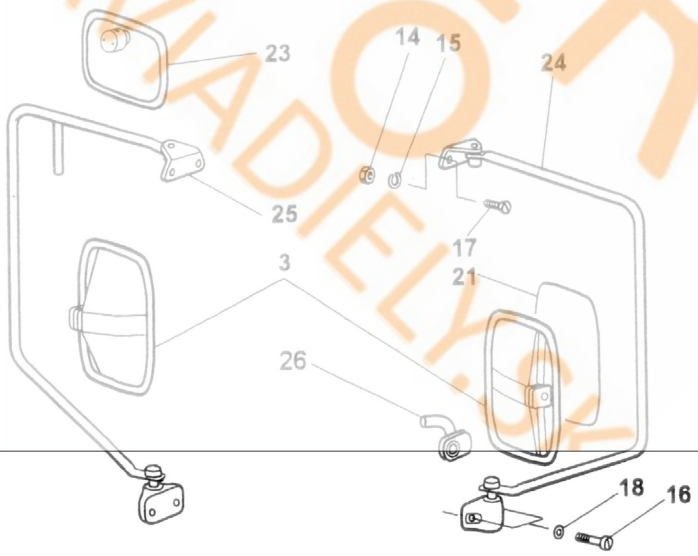
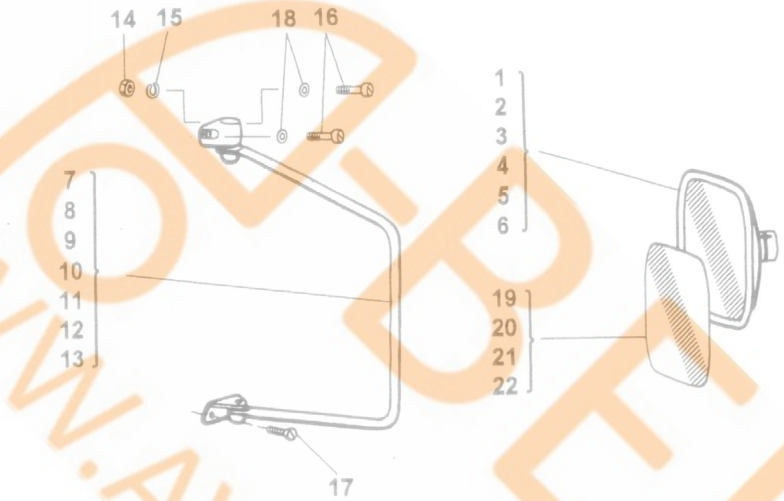


Type

A60, 7

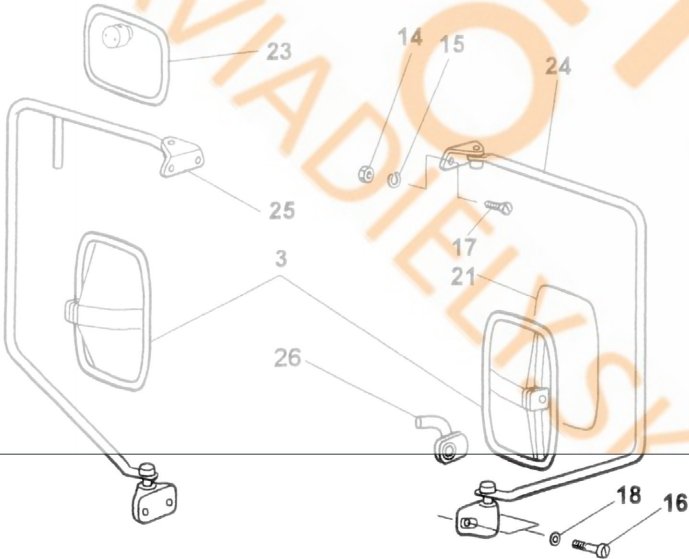
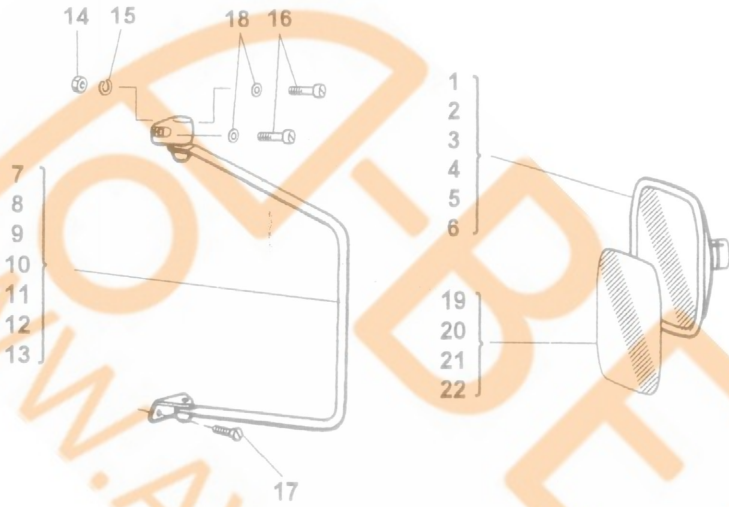
Key No.	0
01	3
02	9
03	9
04	3
05	9
06	9
07	3
08	3
09	3
10	3
11	3
12	3
13	9
14	3
15	1

85.15.0



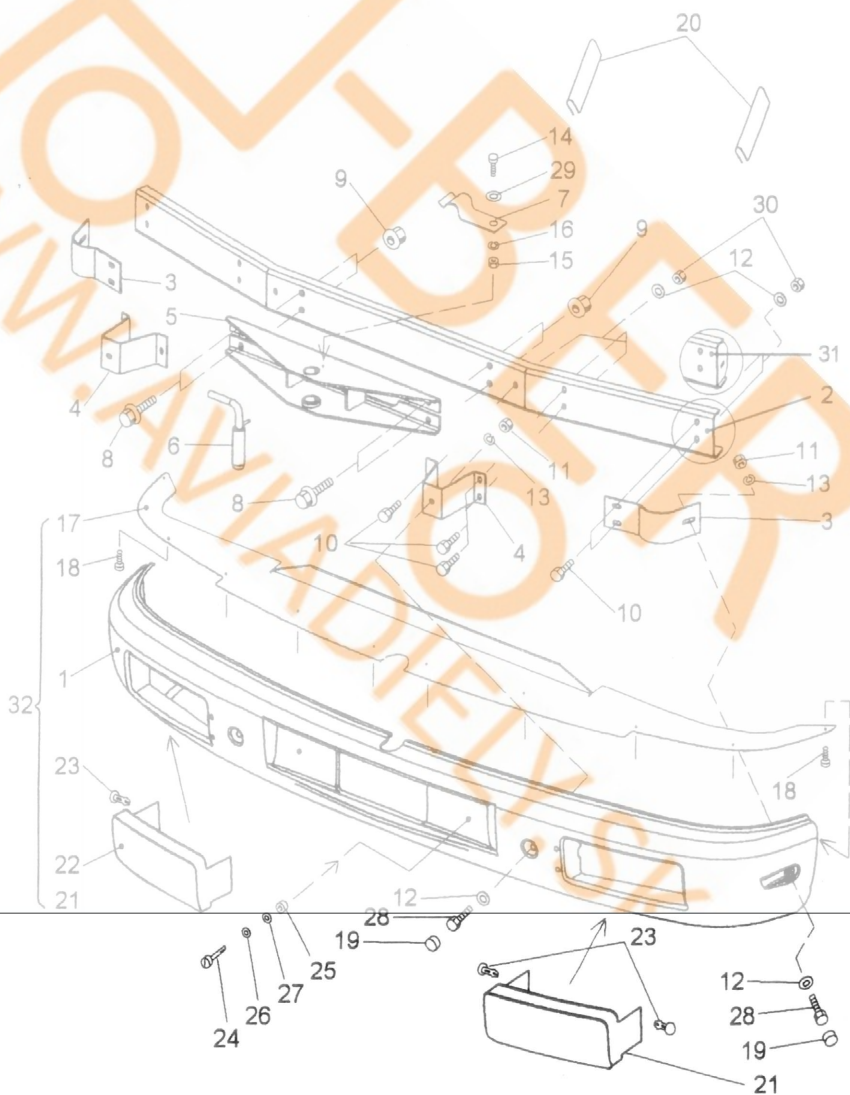
85.15.0

Type
A60, 75, 80
Version



Key No.	Or Ob
18	992
19	362
20	397
21	362
22	362
23	366
24	366
25	366
26	362

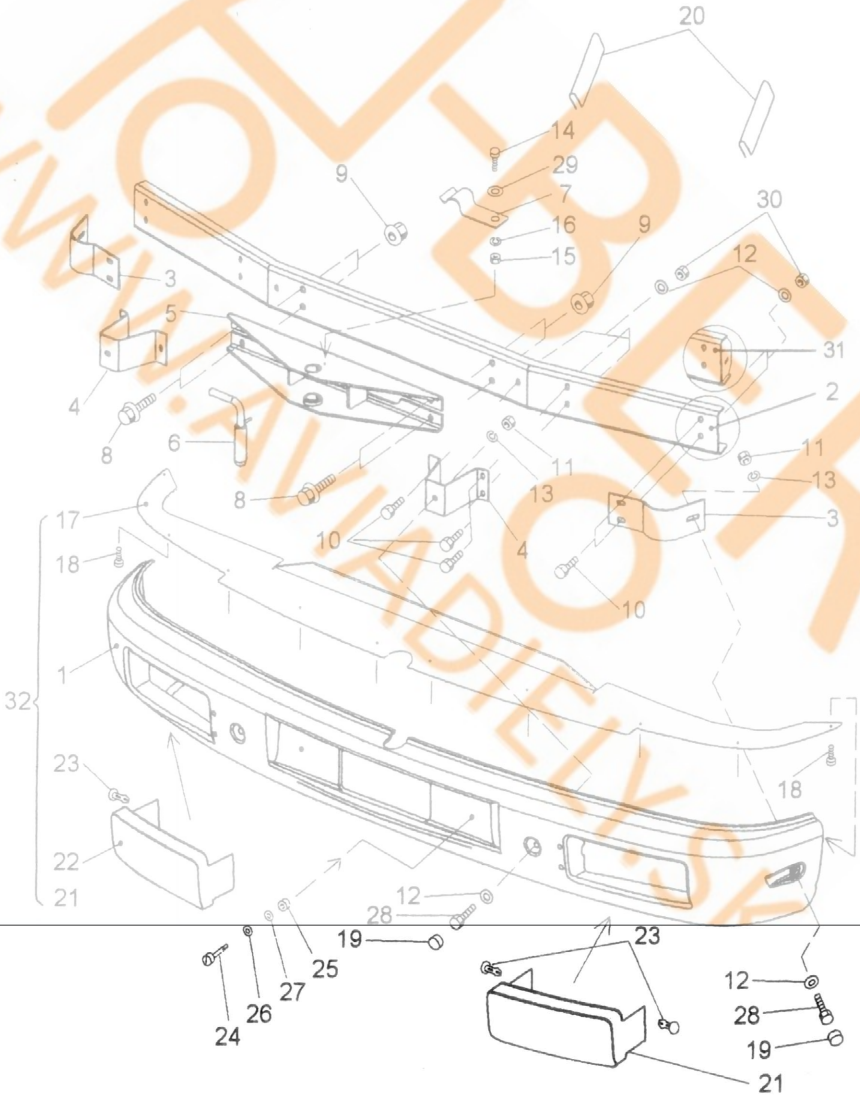
85.50.0



85.50.0

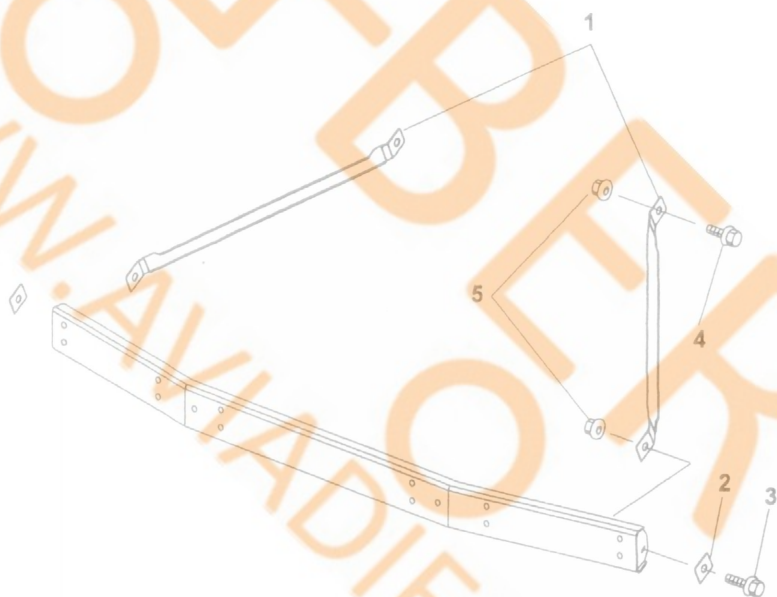
Type

A60,



Key No.	Or Ob
18	36
18A	97
19	36
20	93
21	36
22	36
23	36
24	97
25	99
26	99
27	99
28	97
29	99
30	99
31	36
32	36

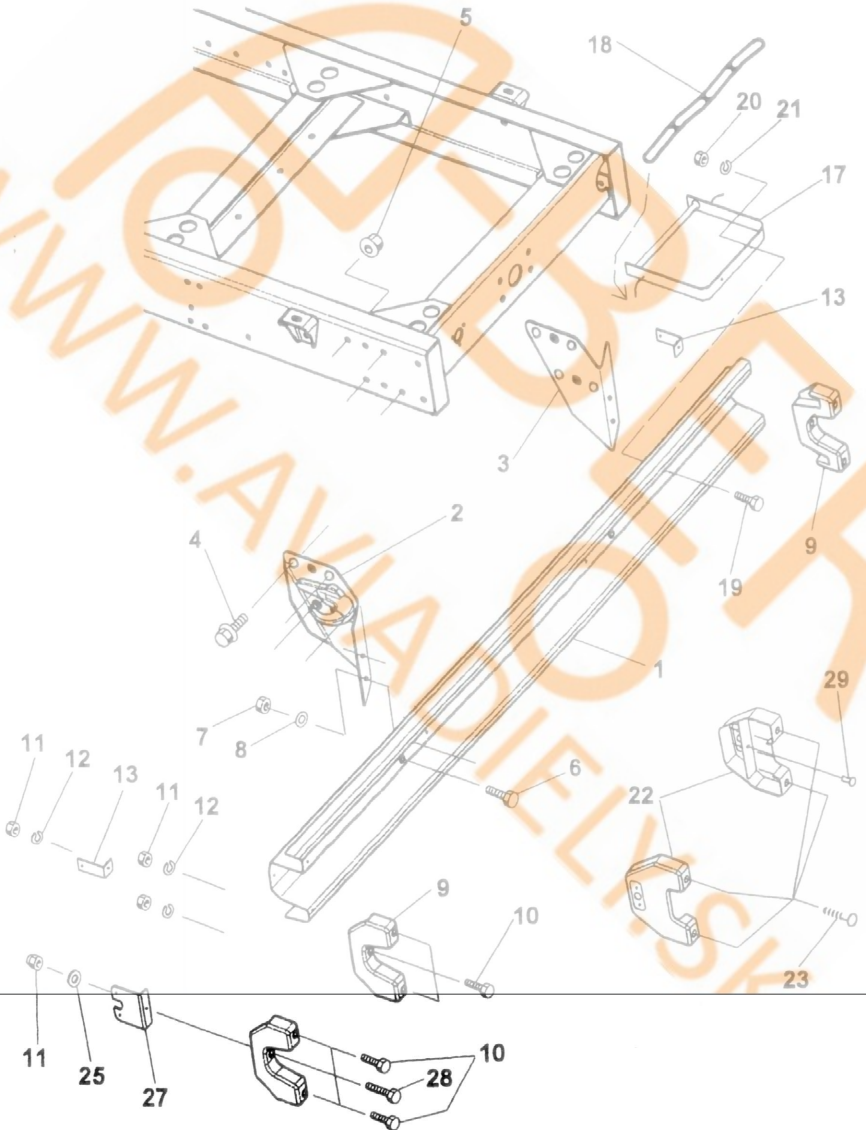
85.51.0



85.55.0

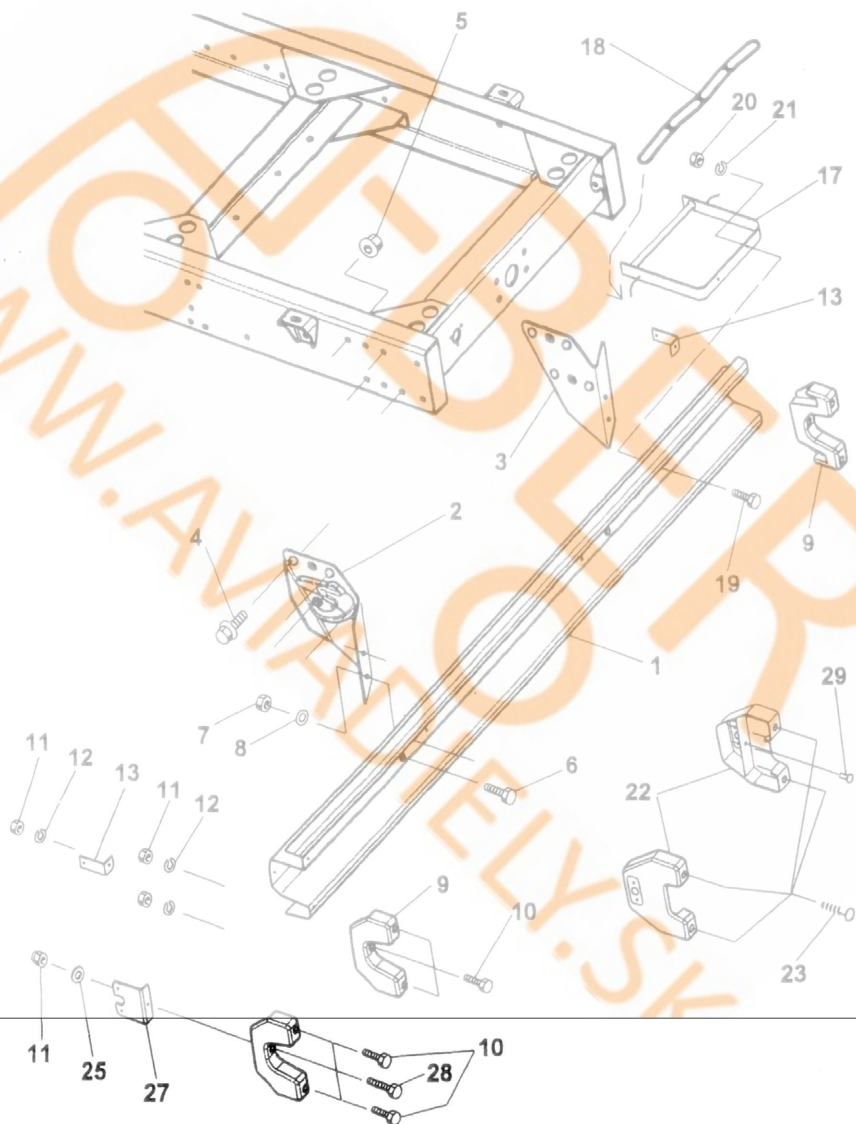
Type

A60,75,



Key No.	Order No.	Objekt
01	366	
01A	366	
02	366	
03	366	
04	366	
05	366	
06	360	
06A	971	
07	992	
08	992	
09	366	
10	971	
11	992	
12	992	
13	366	
17	366	

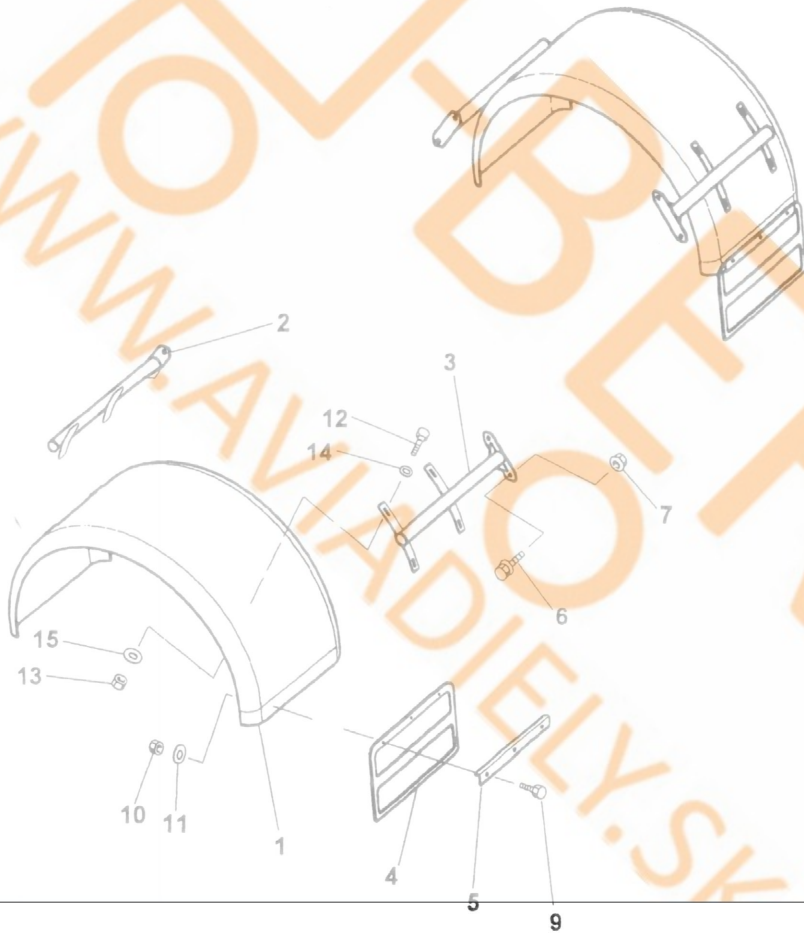
85.55.0



85.60.0

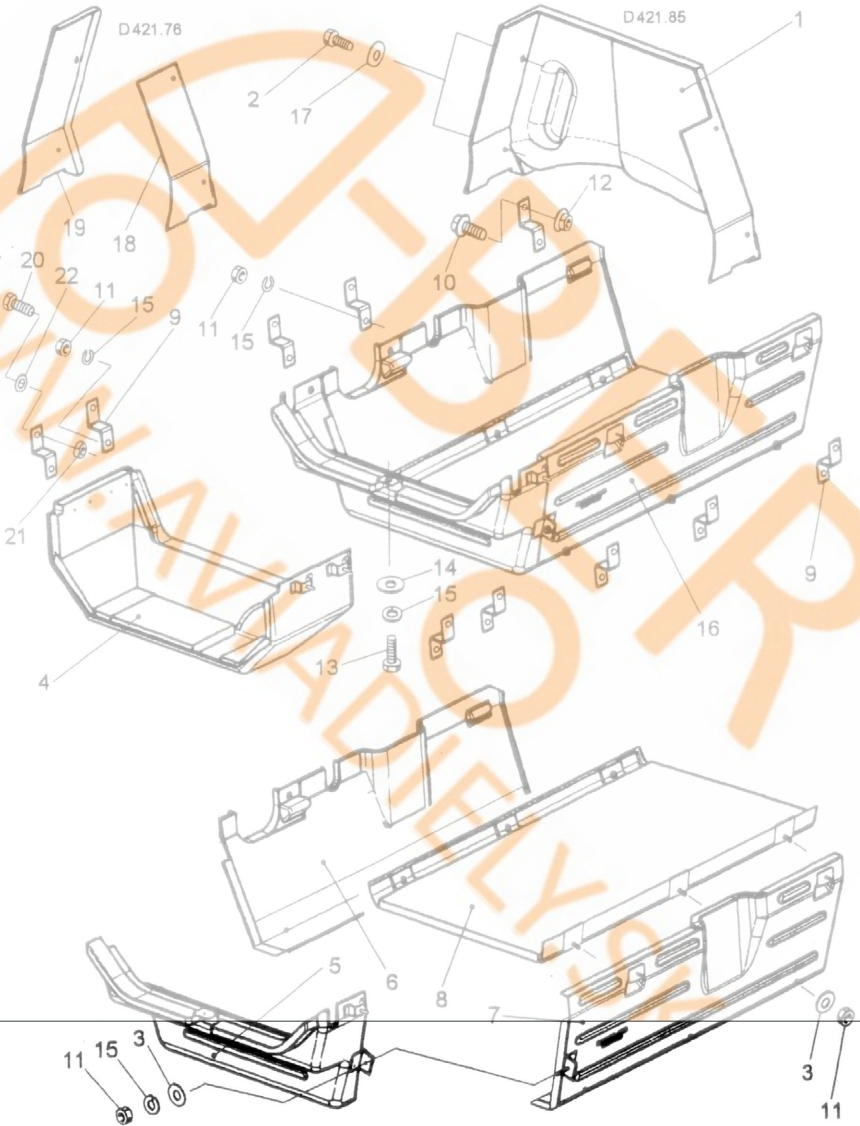
Type

A60,75



Key No.	Order No.	Object
01	366	
02	366	
03	366	
04	366	
05	363	
06	366	
07	366	
09	971	
10	992	
11	991	
12	971	
13	992	
14	992	
15	991	

85.65.0

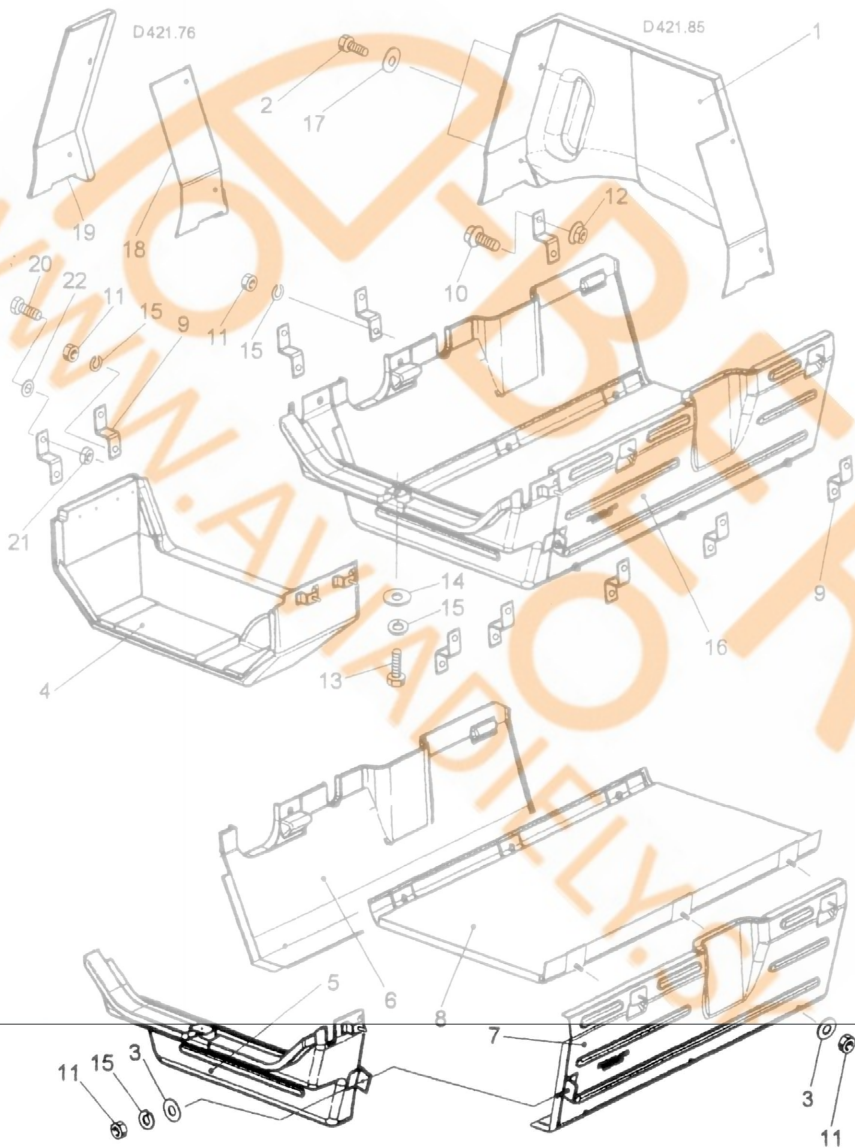


Typ
A6
Ke
No
01
02
03
04
05
06
07
08
09
10
11
12
13
14
15
16
17
18
19
20
21
22

85.65.0

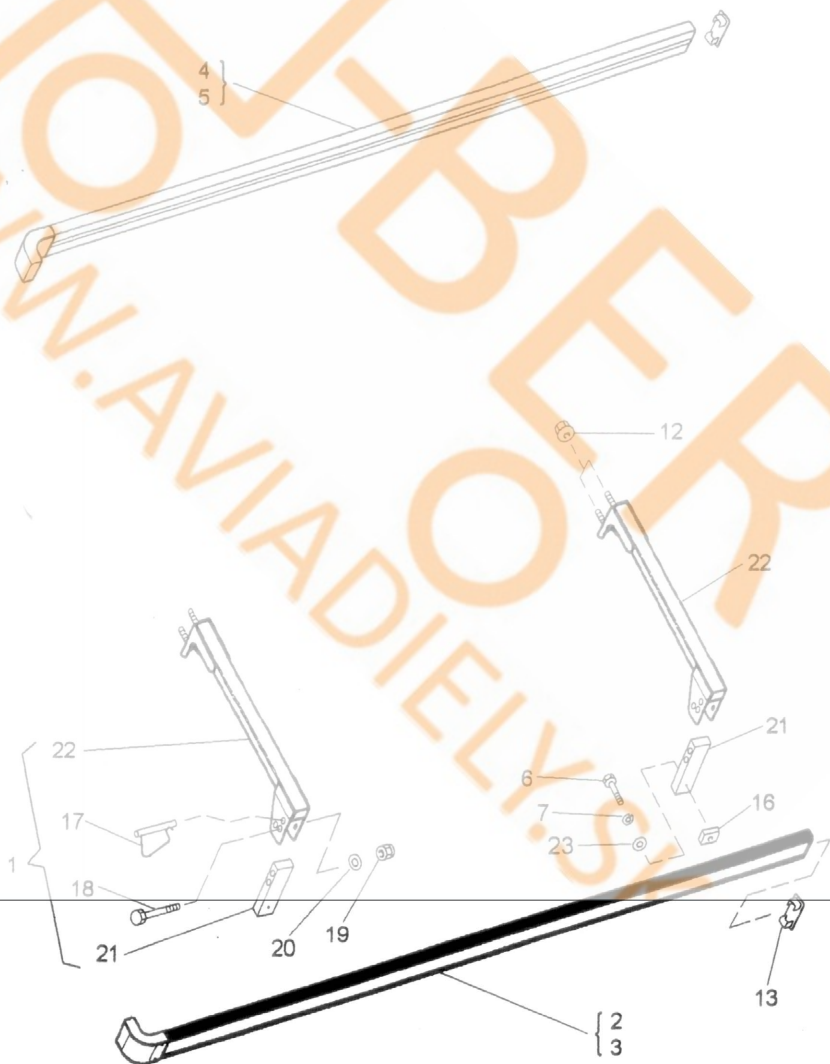
Type

A60, 75, 8



Key No.	Order No.	Objed
18	366-7	
19	366-7	
20	971-2	
21	992-4	
22	992-7	

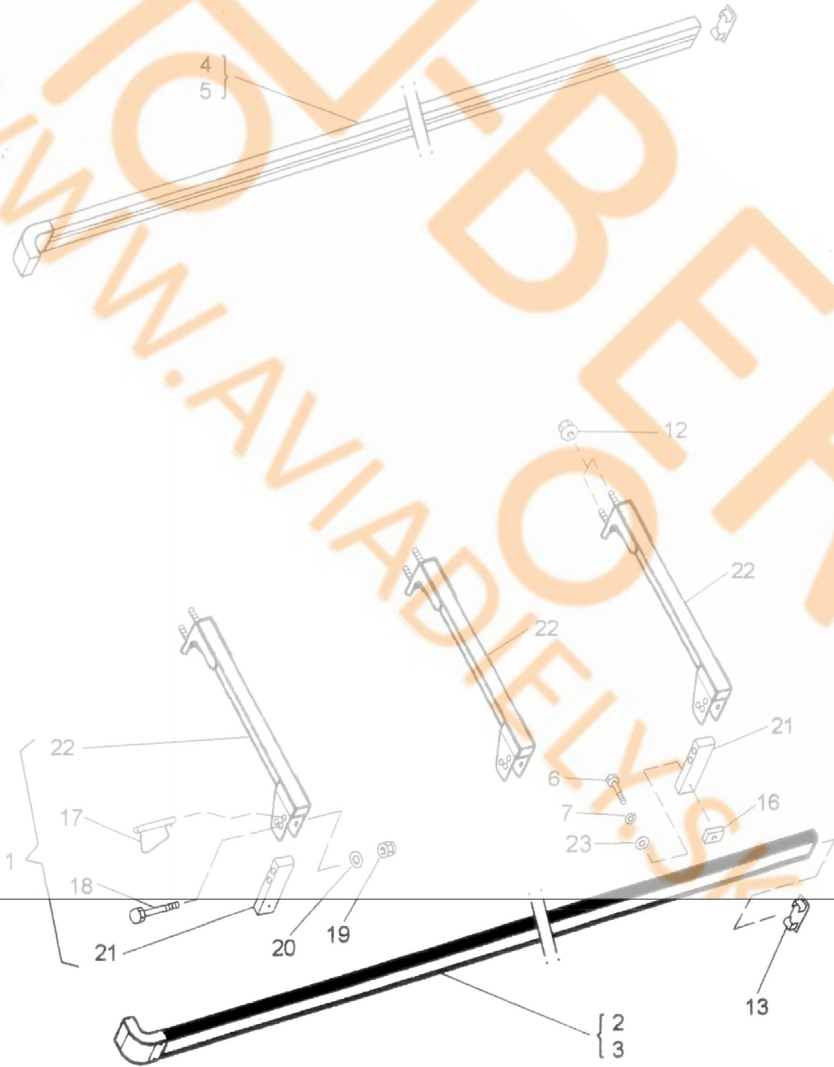
85.70.0



85.75.0

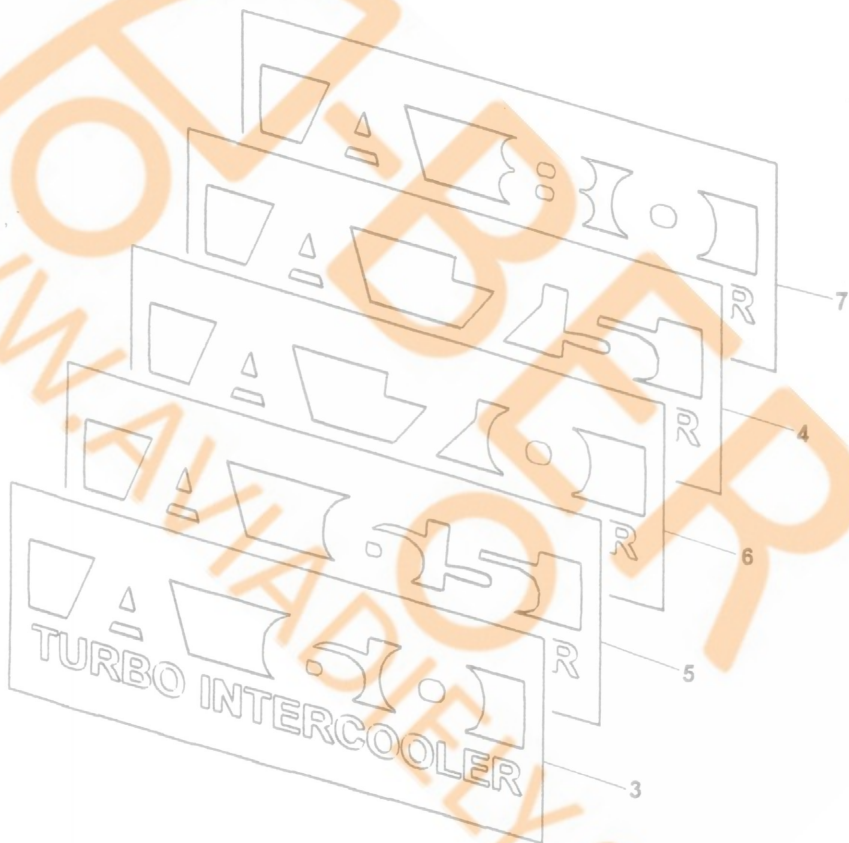
Type

A60, 73



Key No.	Ord Obj
01	366
02	366
03	366
04	366
05	366
06	971
07	992
12	366
13	366
16	366
17	366
18	971
19	992
20	992
21	366
22	366
23	992

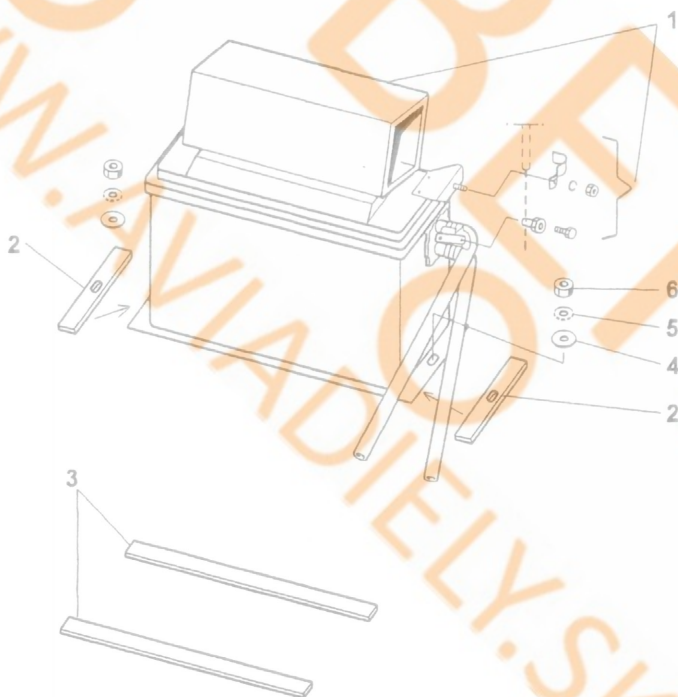
85.80.0



89.05.0

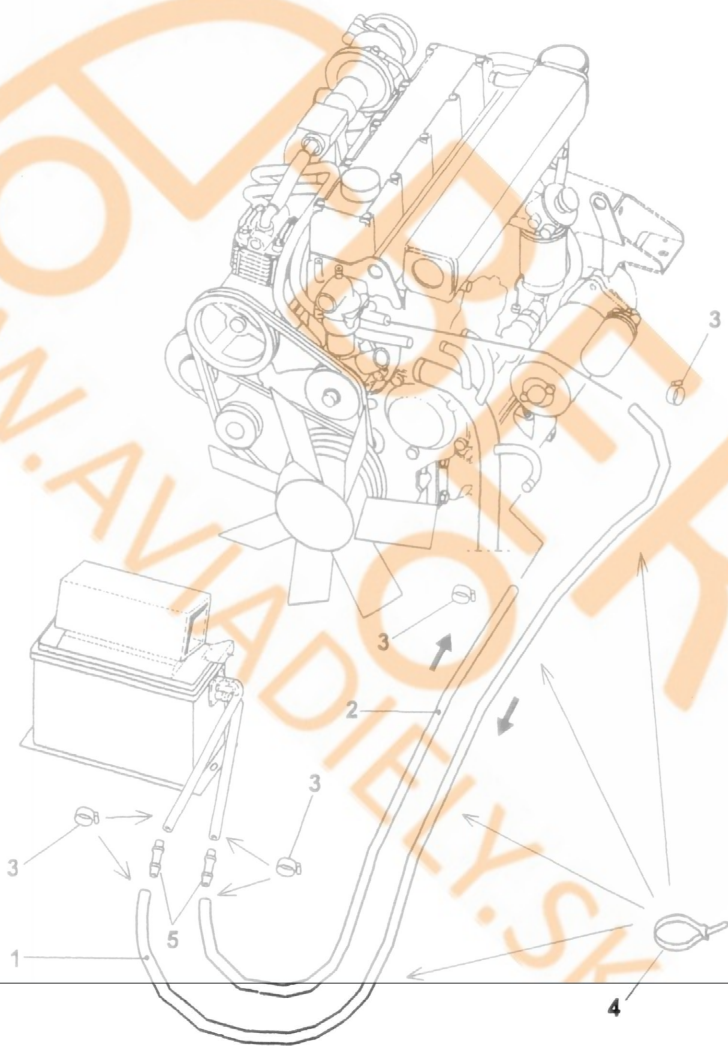
Type

A60,75,



Key No.	Order No.	Object
01	366	
02	366	
03	366	
04	992	
05	992	
06	992	

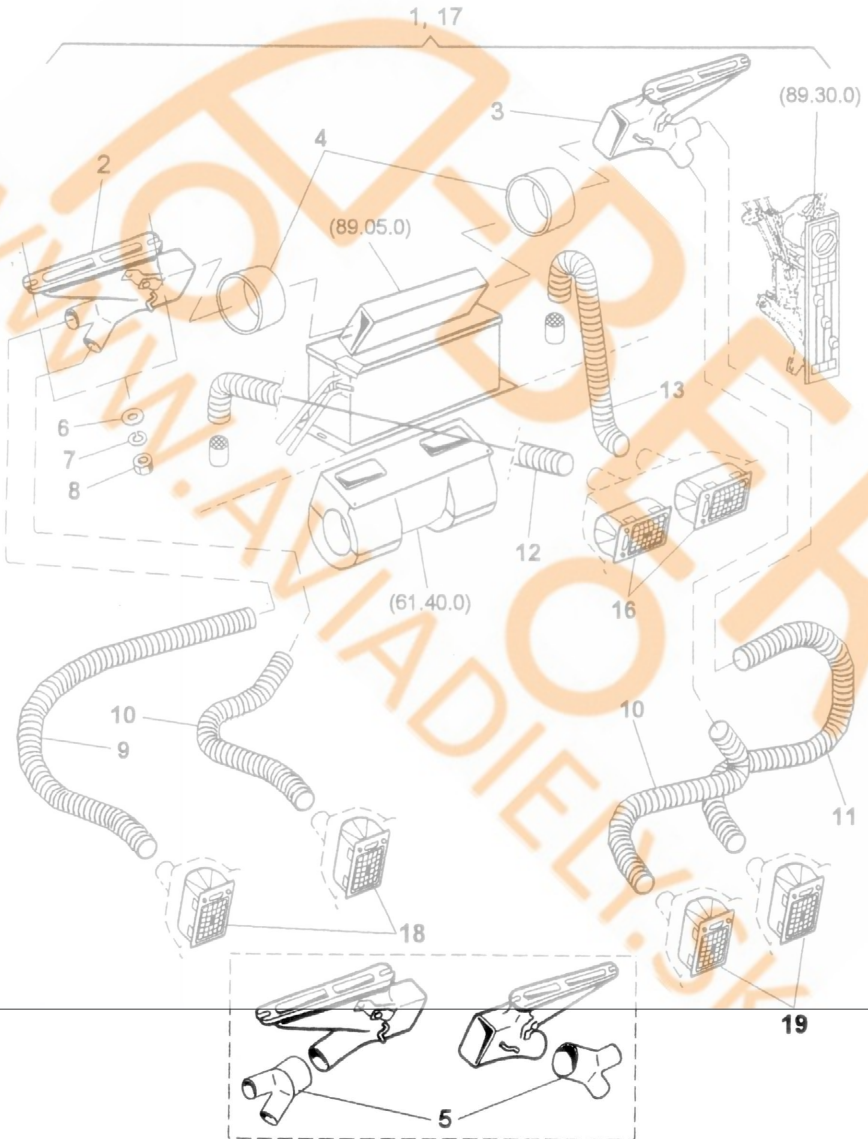
89.10.0



89.20.0

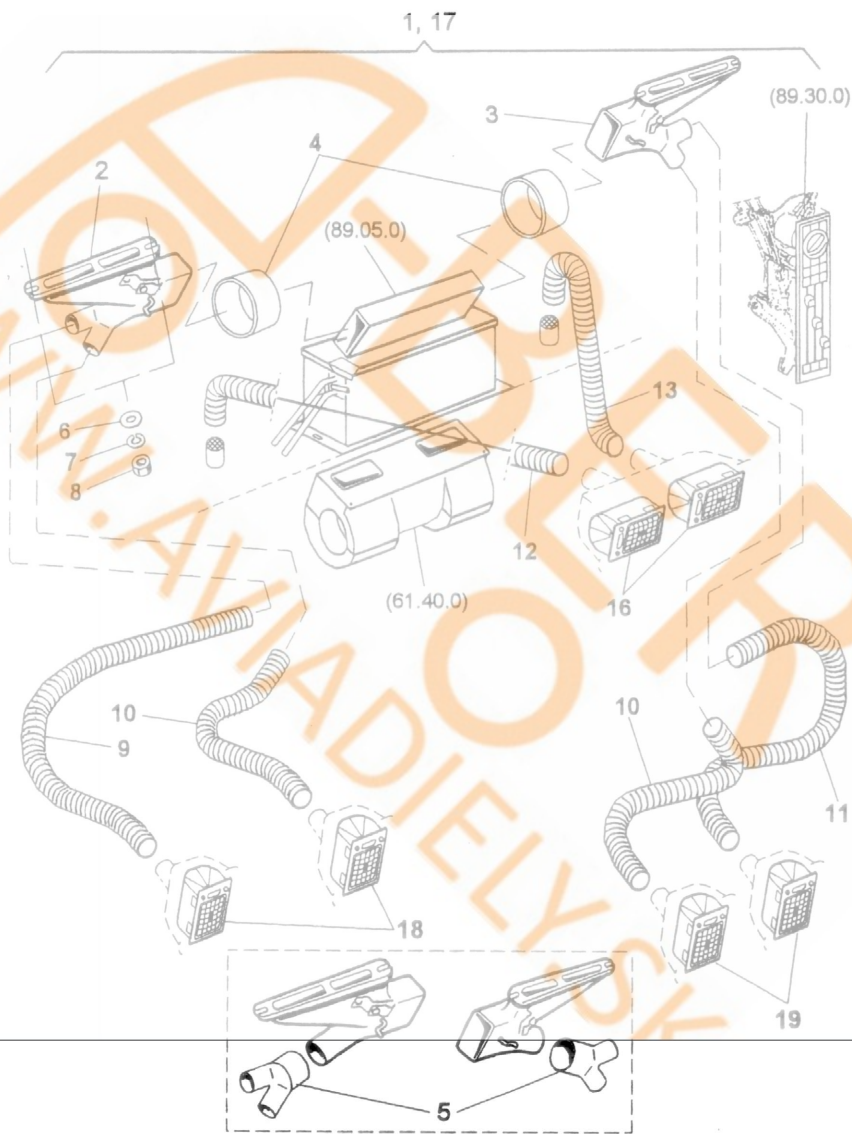
Type

A60, 75,



Key No.	Order No.	Objekt
01	366	
02	366	
03	366	
04	360	
05	366	
06	99	
07	992	
08	992	
09	366	
10	366	
11	366	
12	366	
13	366	
16	366	
16A	366	
17	366	

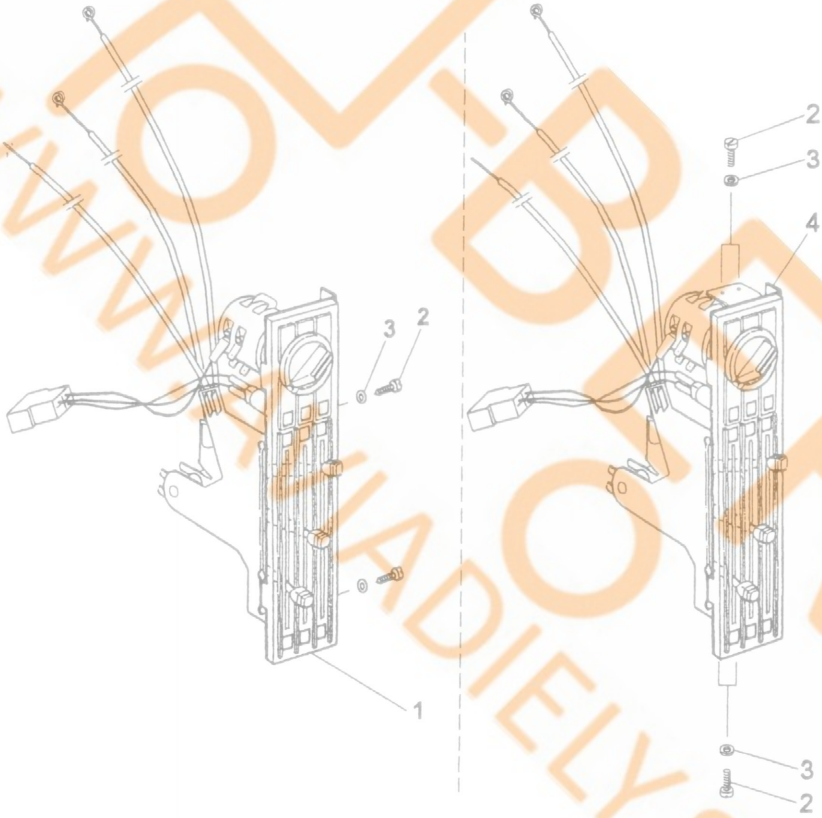
89.20.0



89.30.0

Type

A60,75



Key No.	Order No.	Object
01	366-	
02	974-	
03	992-	
04	366-	

ALBER
WWW.AVIADIELY.SK

ALBER
WWW.AVIADIELY.SK



DA
AKCIO

Berano
Czech