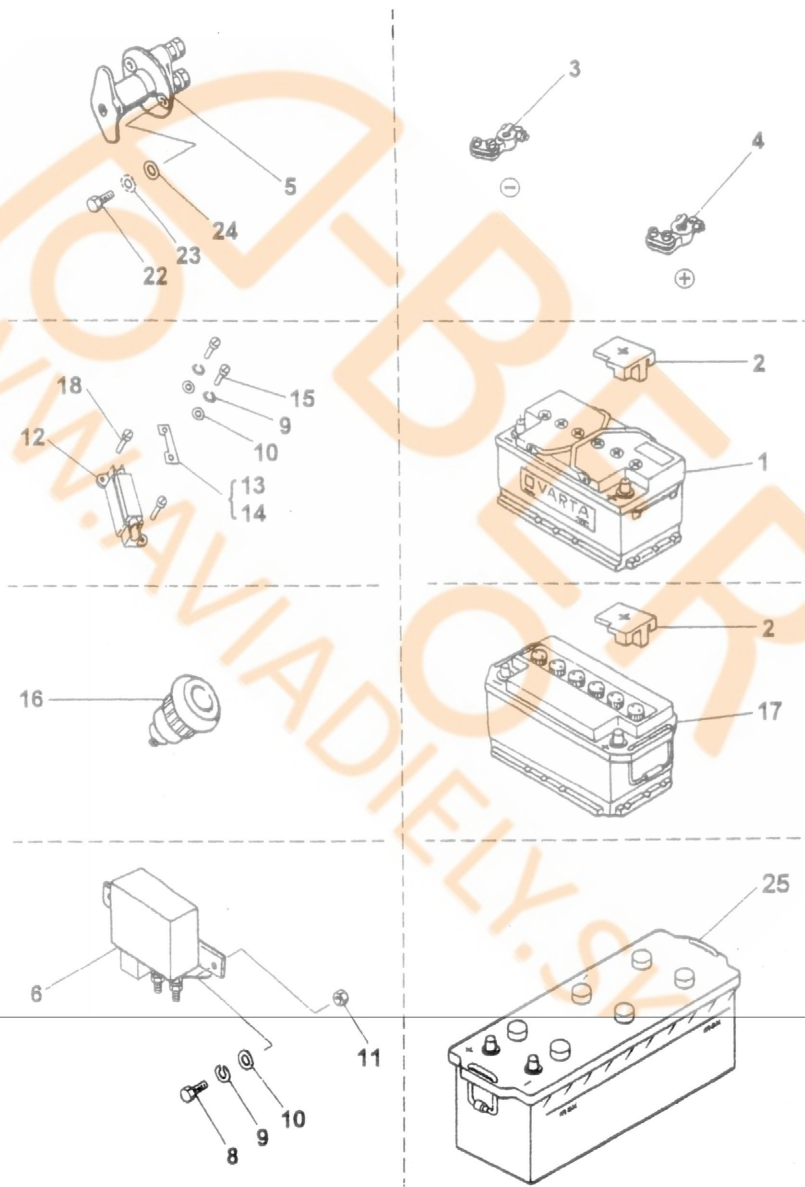


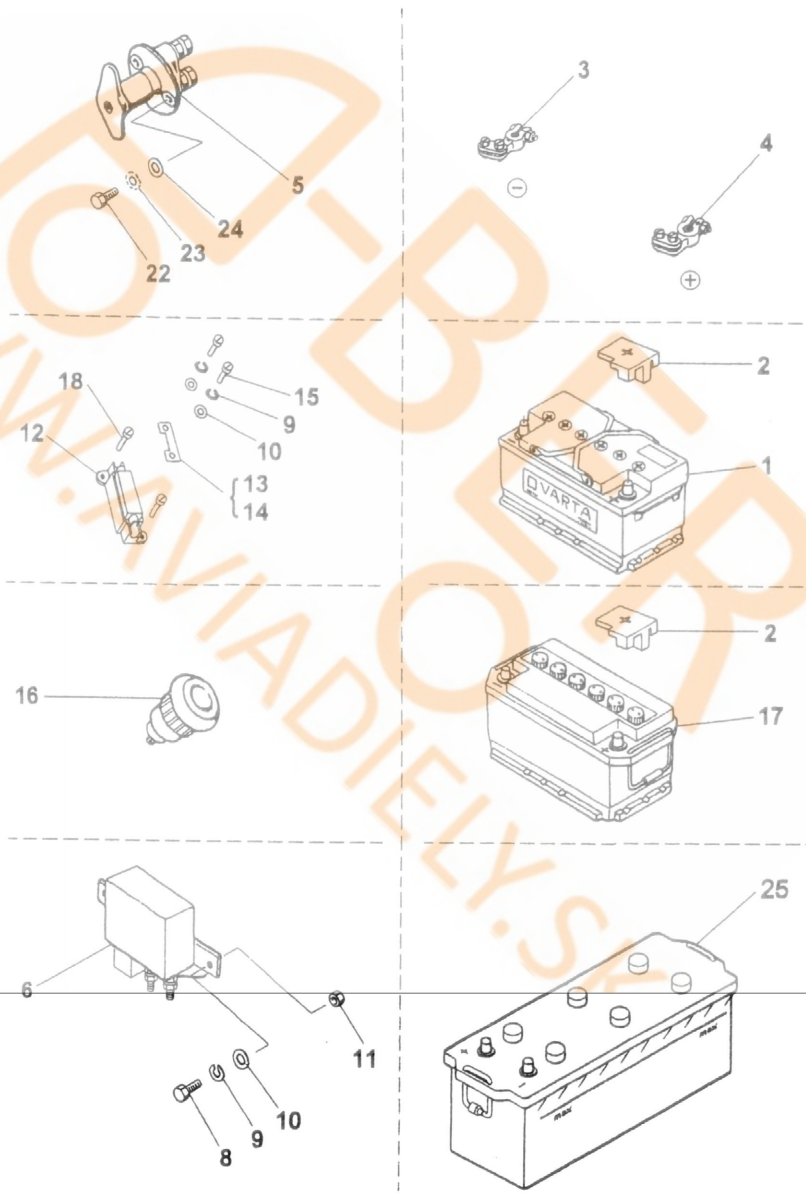
ELECTRIC DEVICE AND EQUIPMENT

ELEKTRICKÁ VÝSTROJ A VÝBAVA

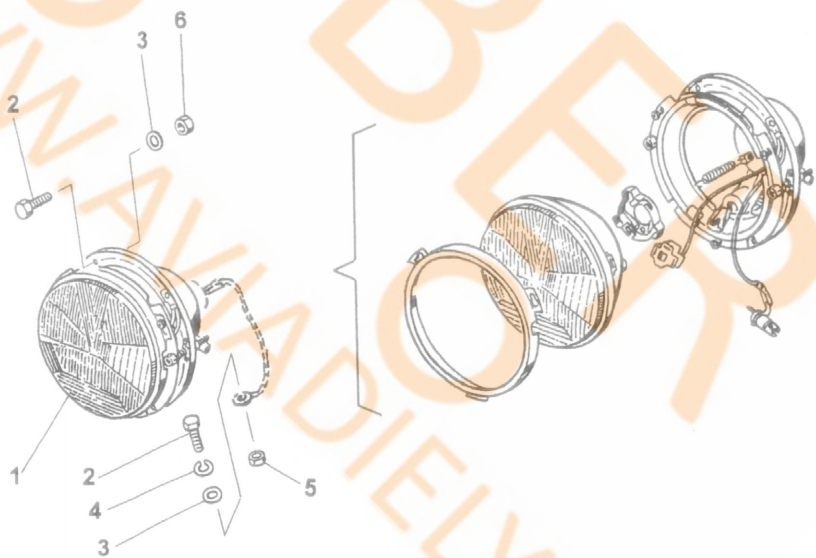
60.05.0



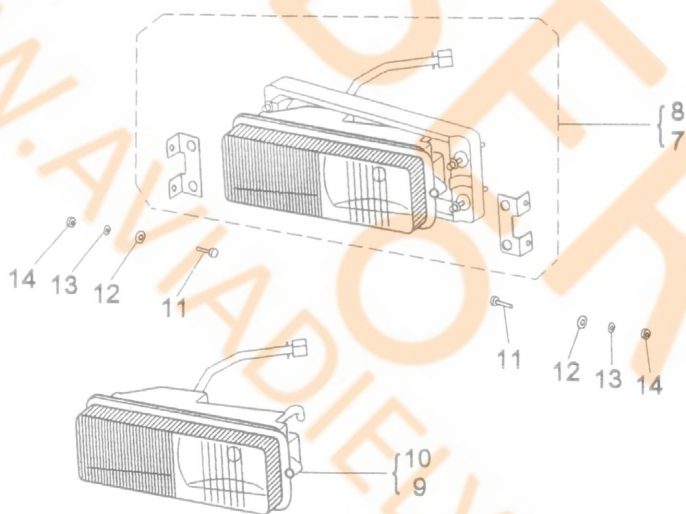
60.05.0



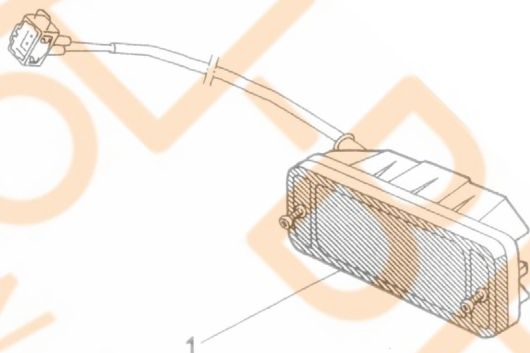
60.10.0



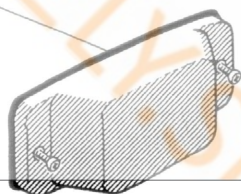
60.12.0



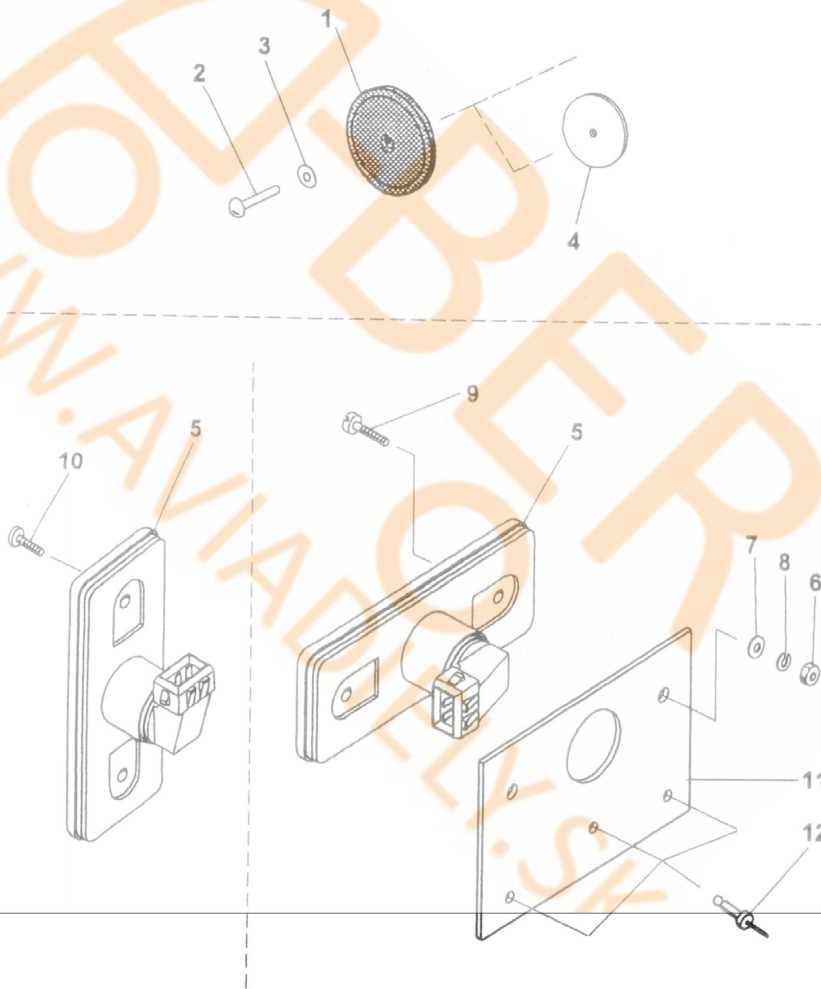
60.15.0



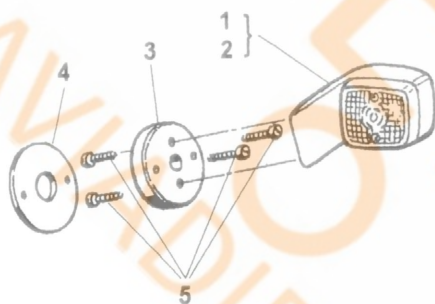
- 2
- 4
- 3
- 5



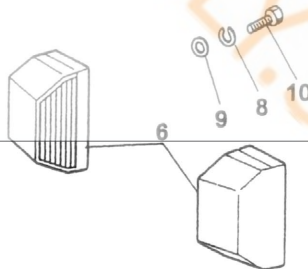
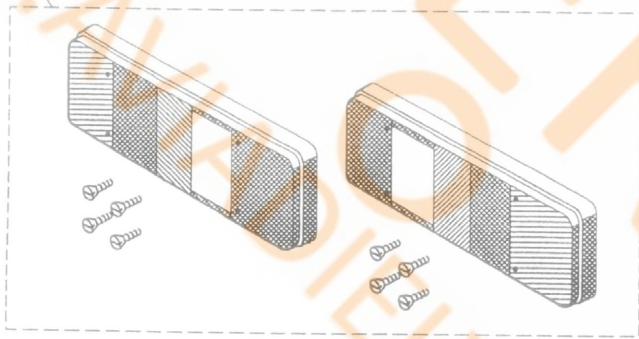
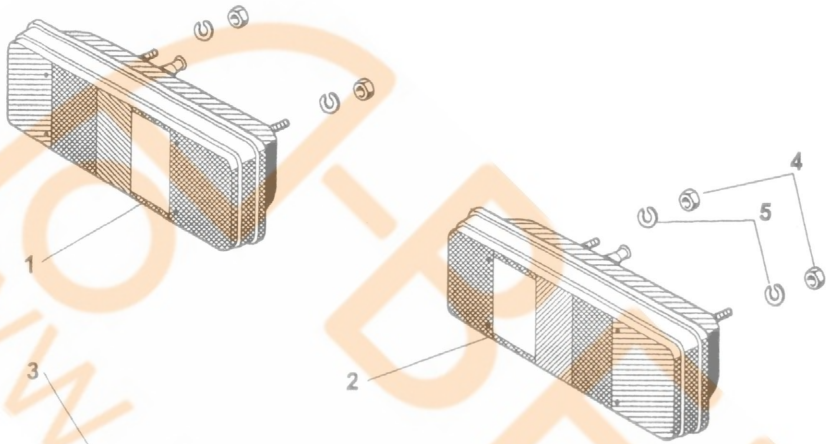
60.20.0



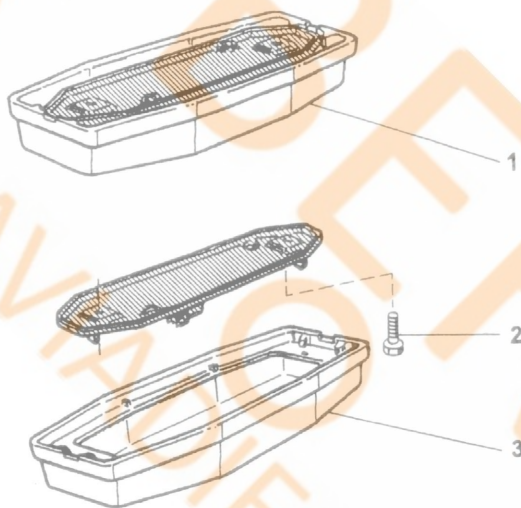
60.25.0



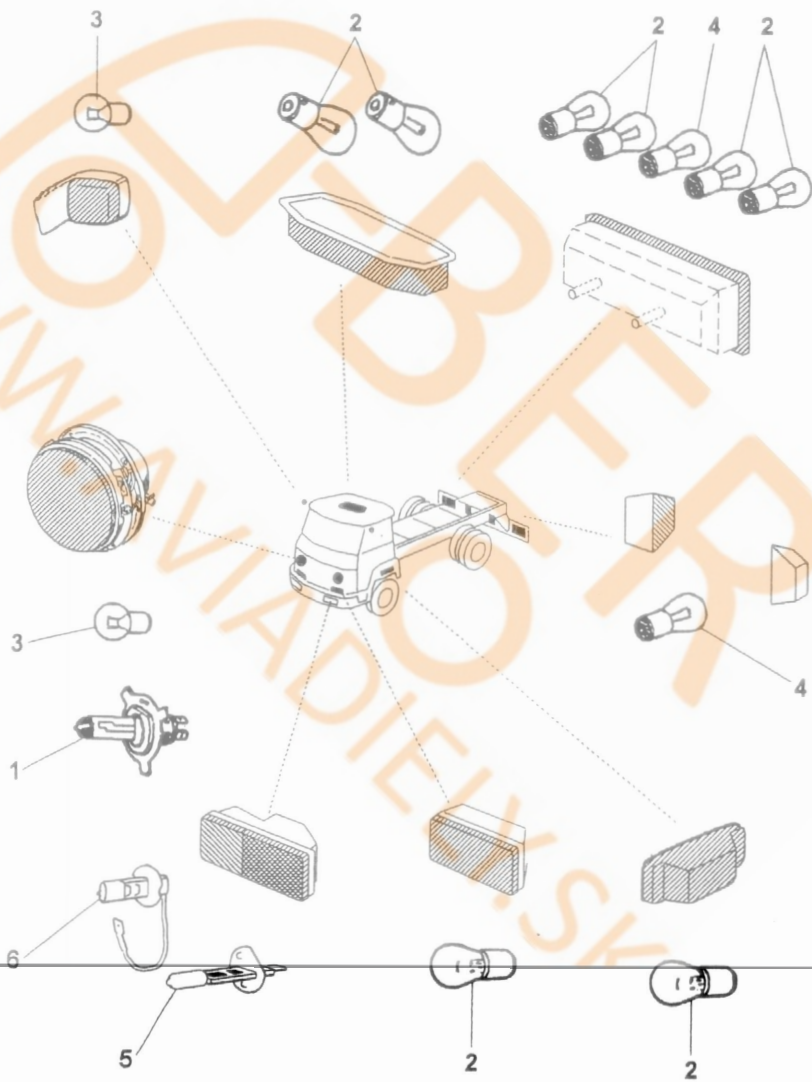
60.30.0



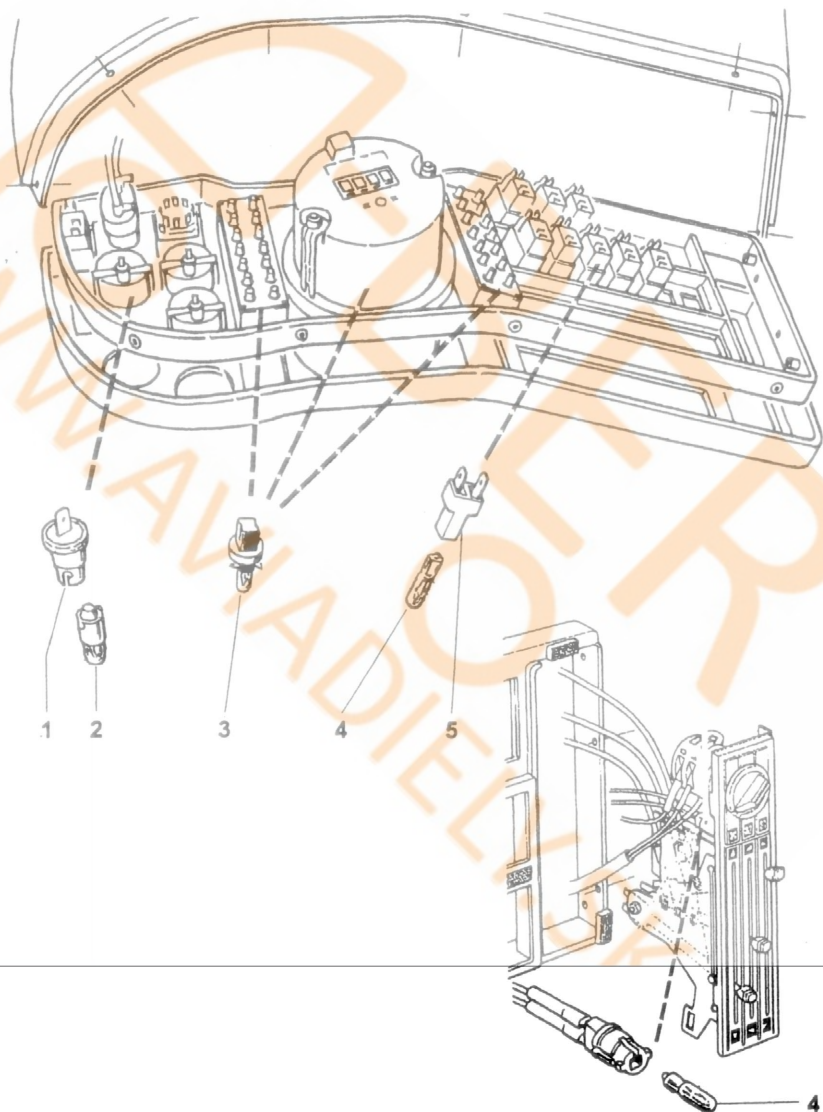
60.35.0



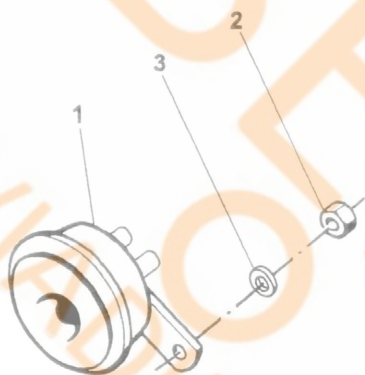
60.40.0



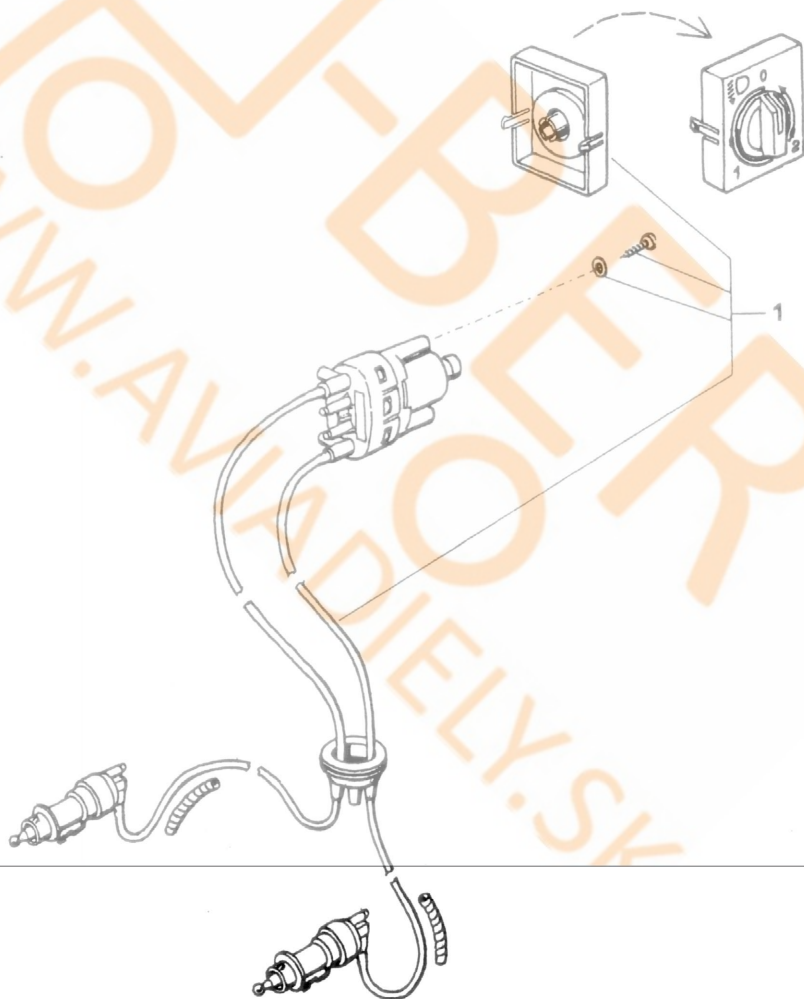
60.45.0



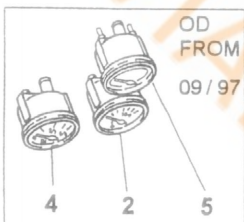
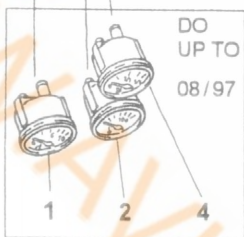
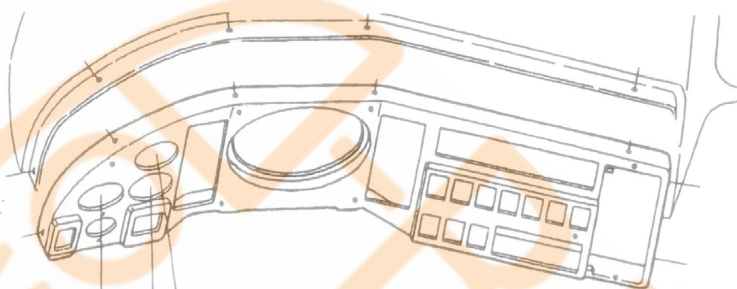
60.50.0



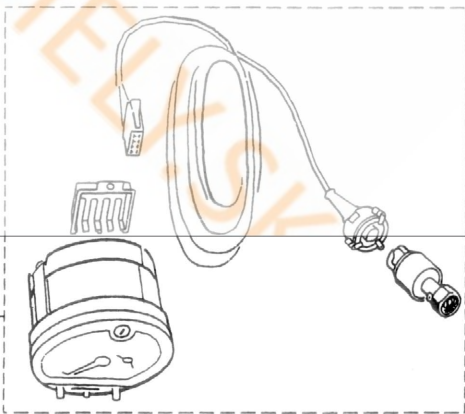
60.70.0



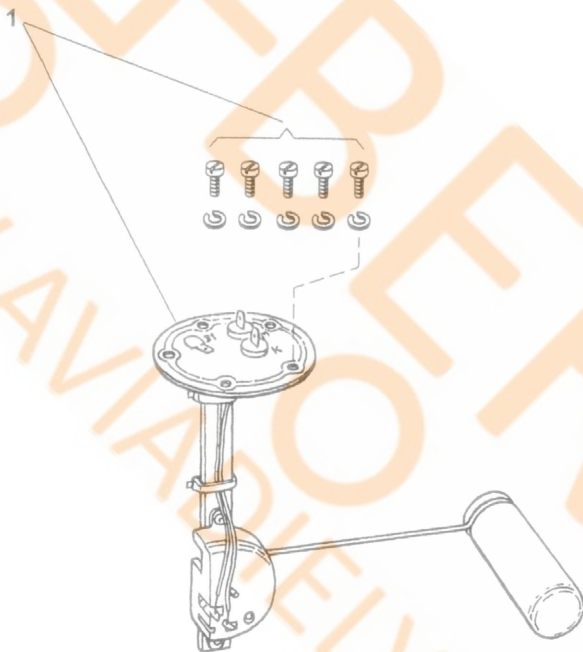
61.05.0



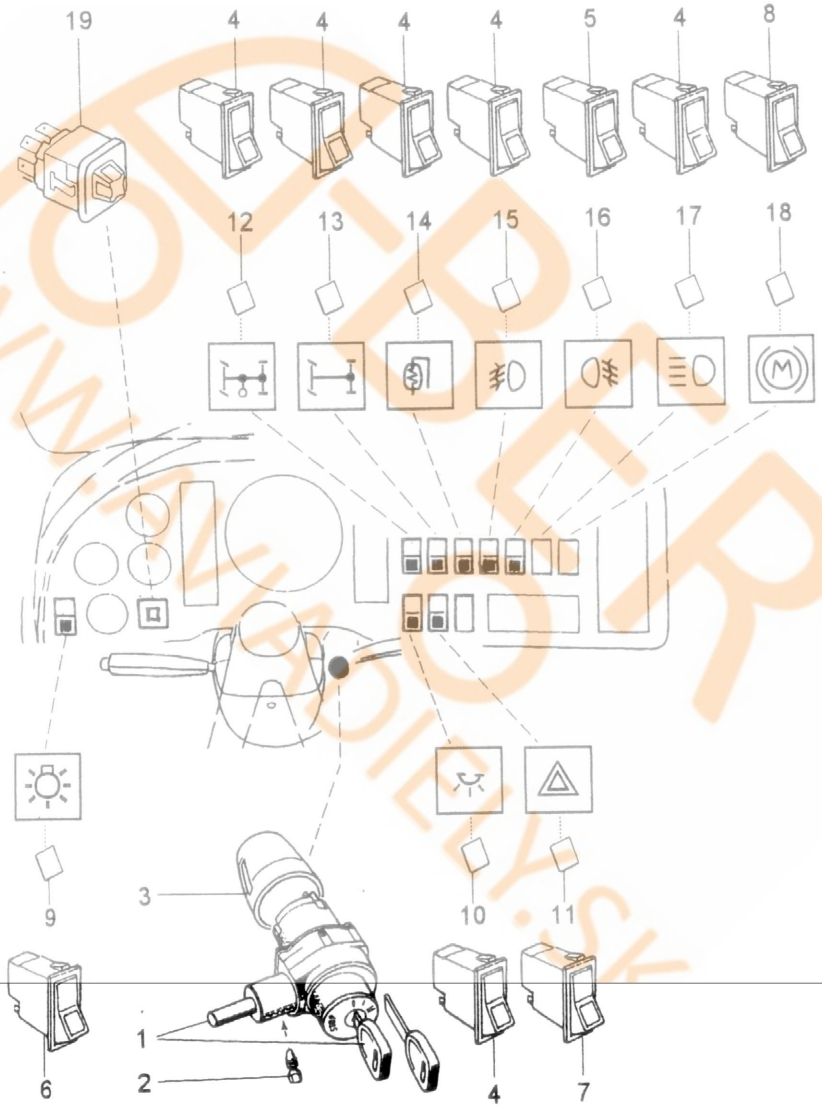
3



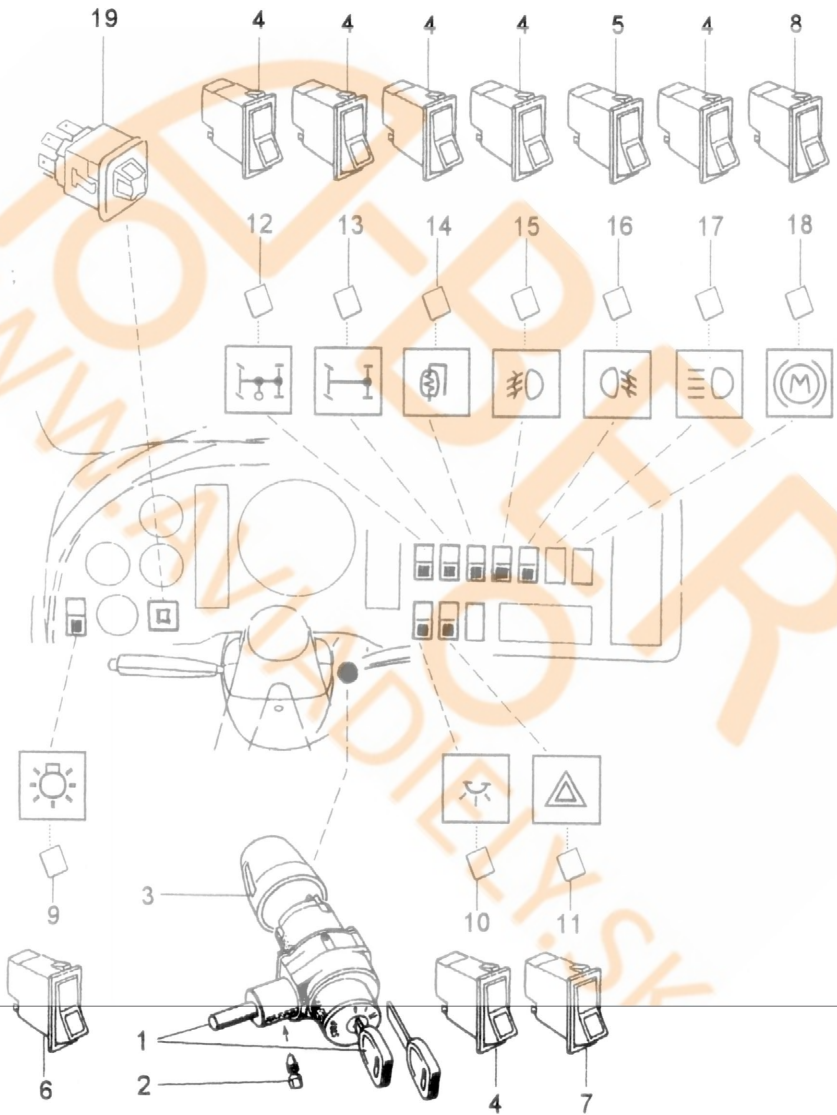
61.15.0



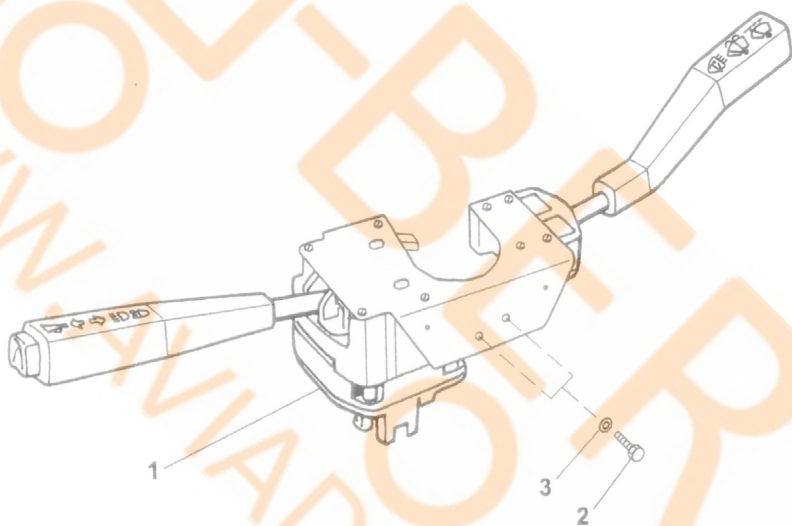
61.21.0



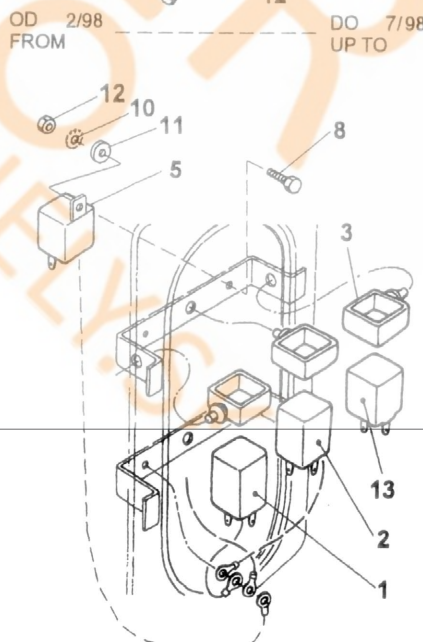
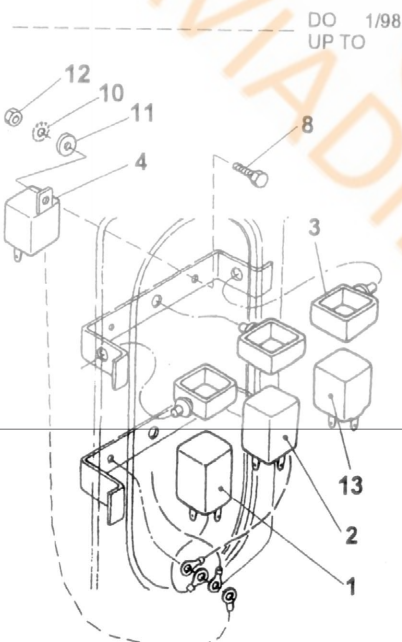
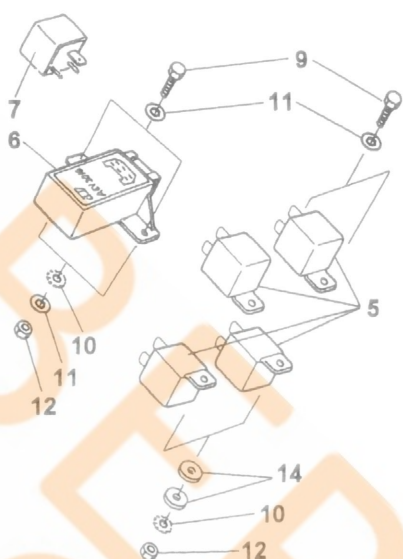
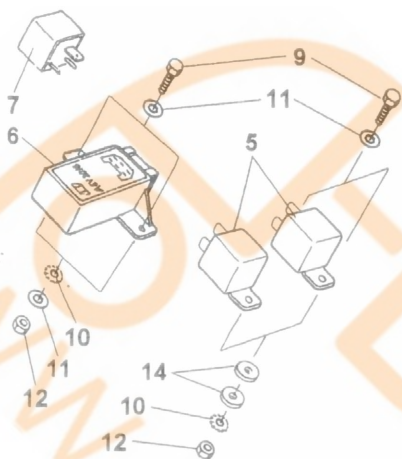
61.21.0



61.25.0



61.30.0

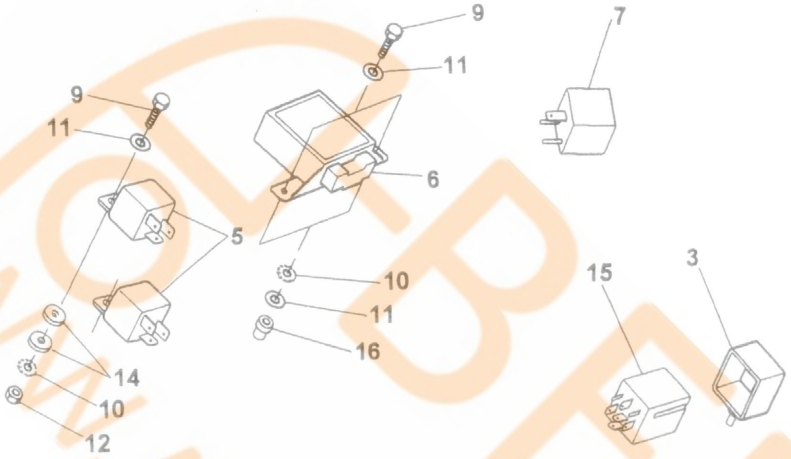


DO 1/98
UP TO

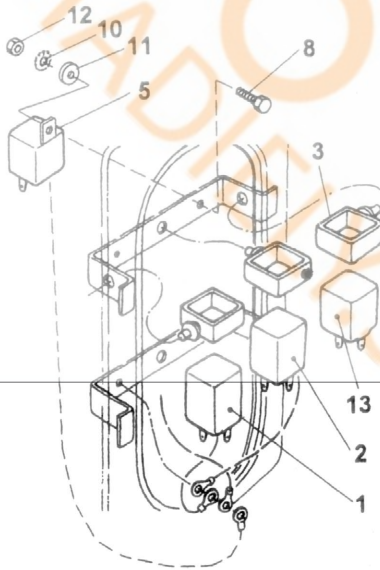
OD 2/98
FROM

DO 7/98
UP TO

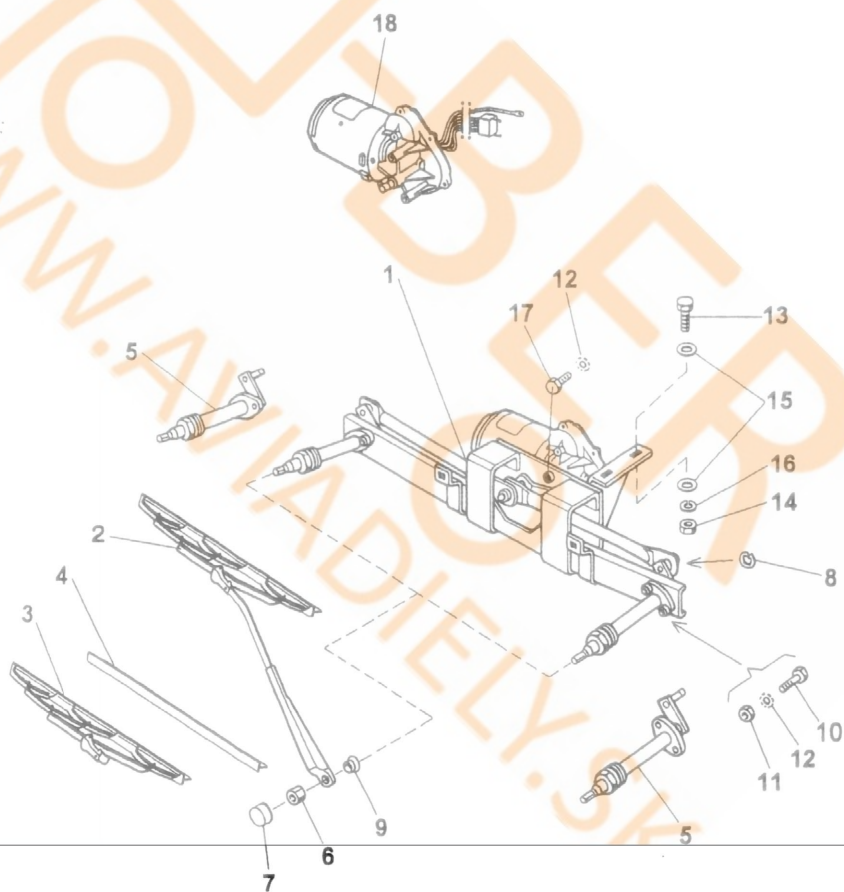
61.31.0



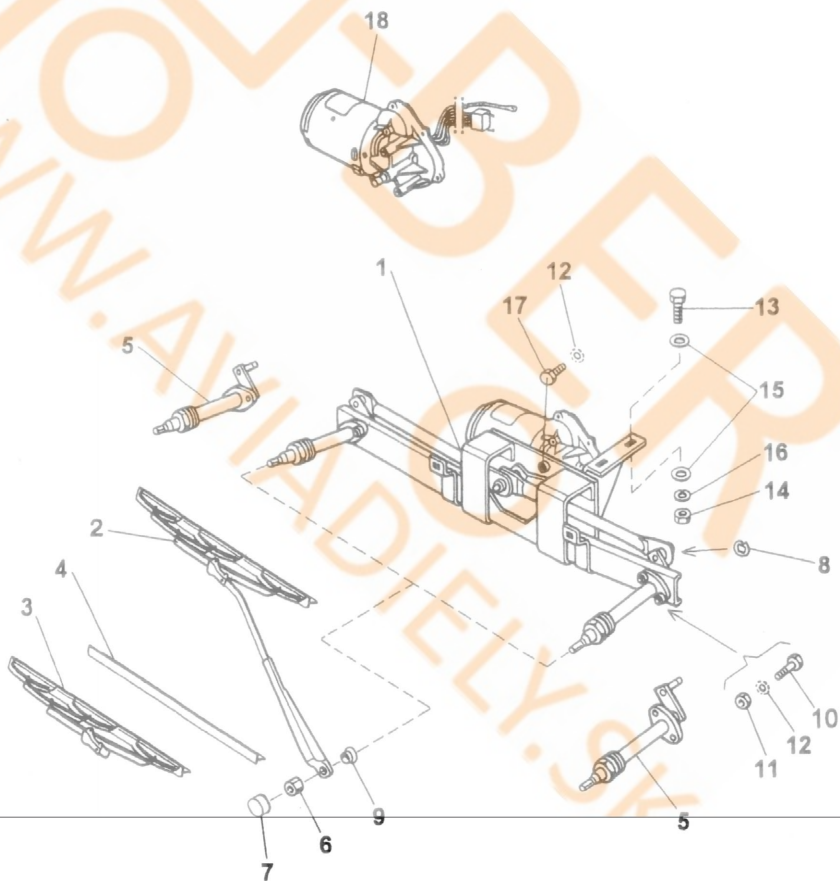
OD 8/98
FROM



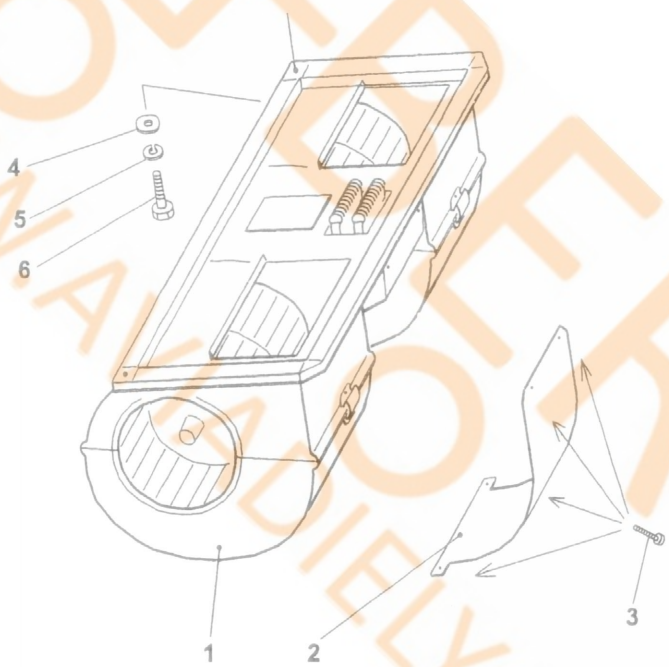
61.35.0



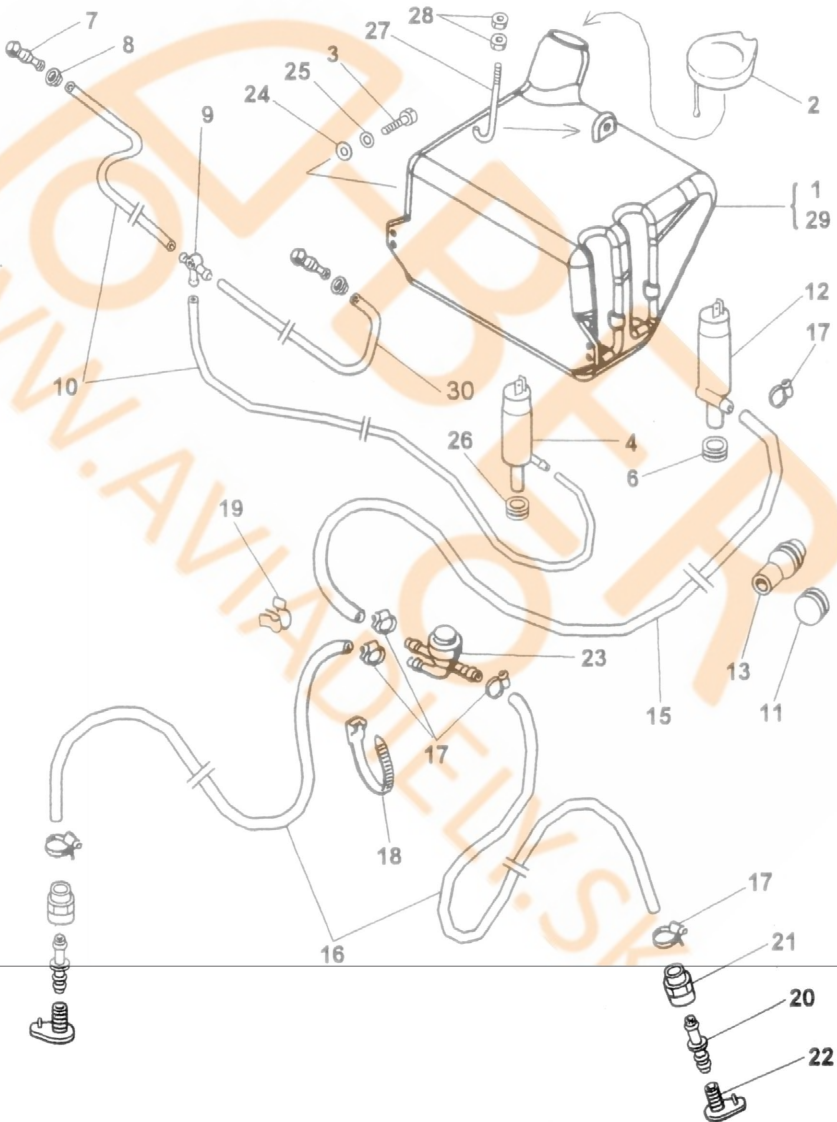
61.35.0



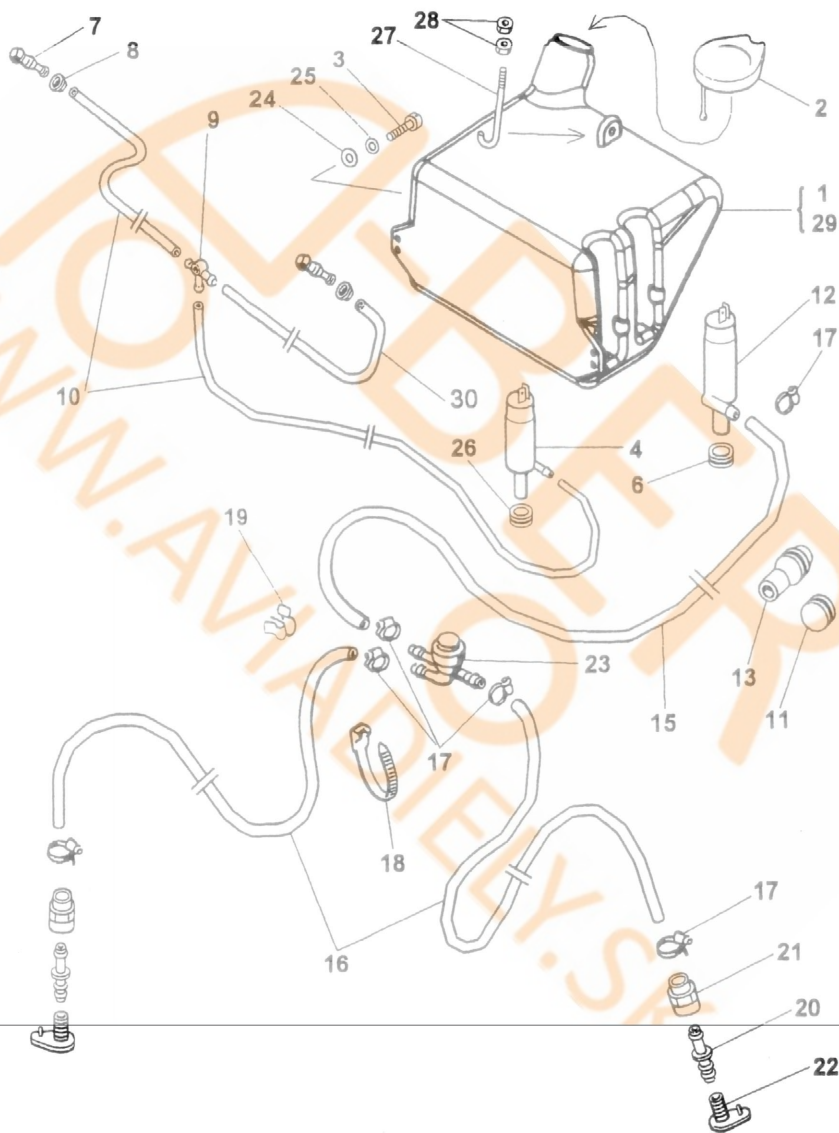
61.40.0



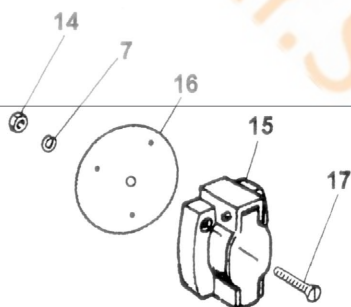
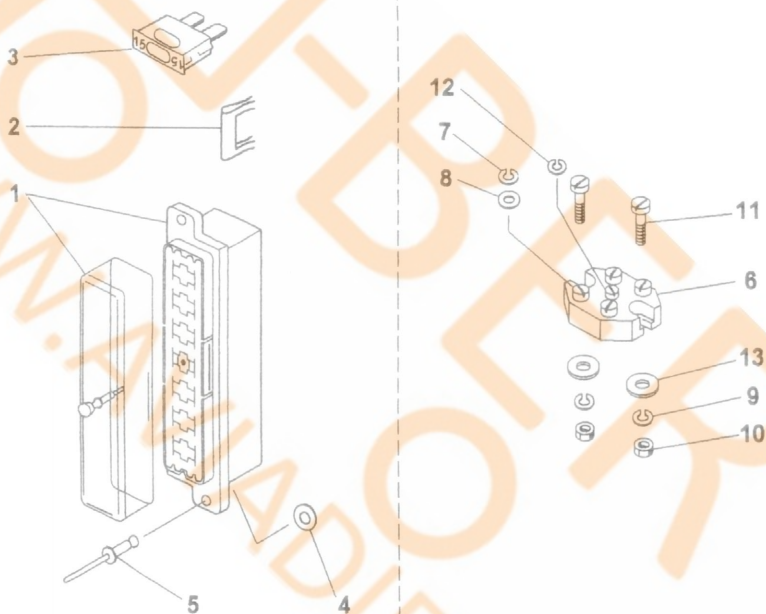
61.45.0



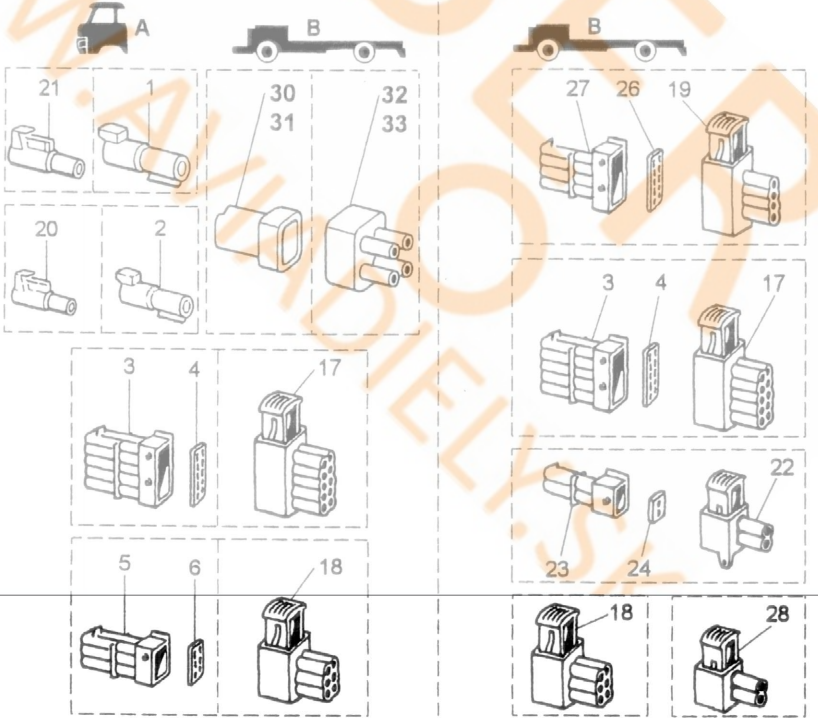
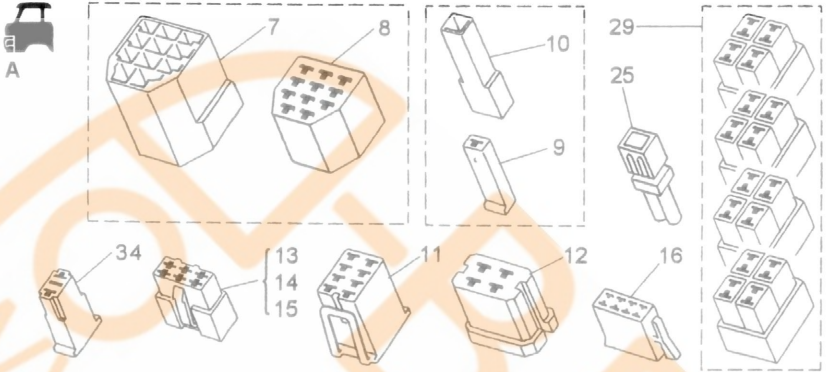
61.45.0



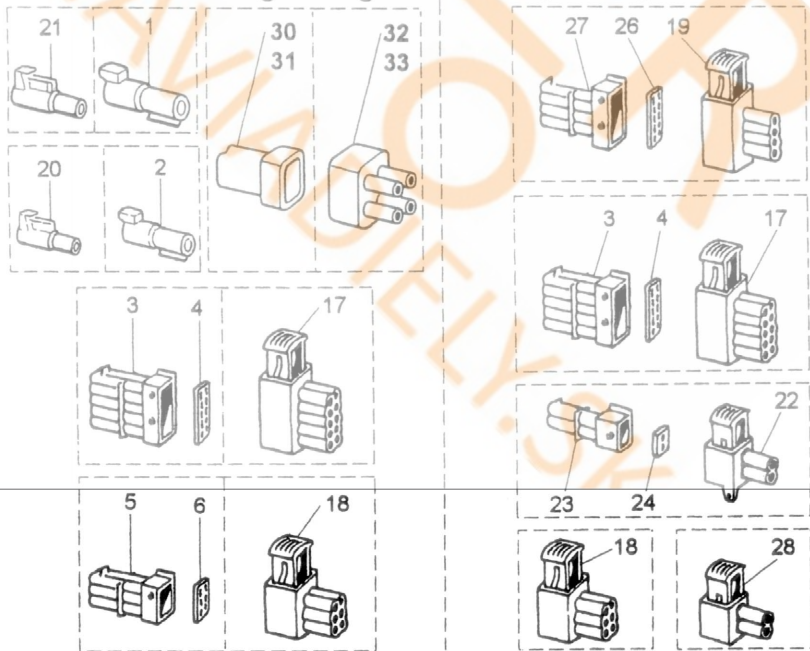
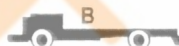
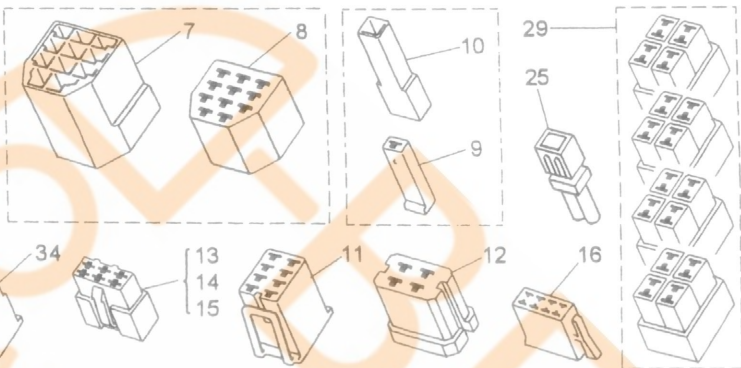
62.05.0



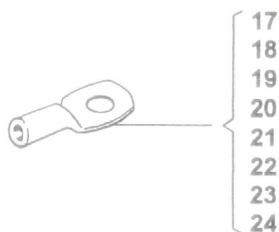
62.10.0



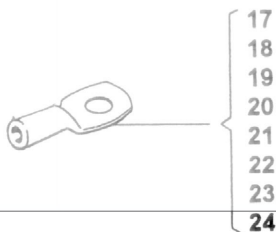
62.10.0



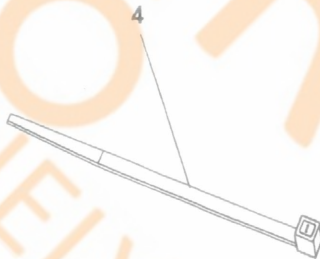
62.20.0



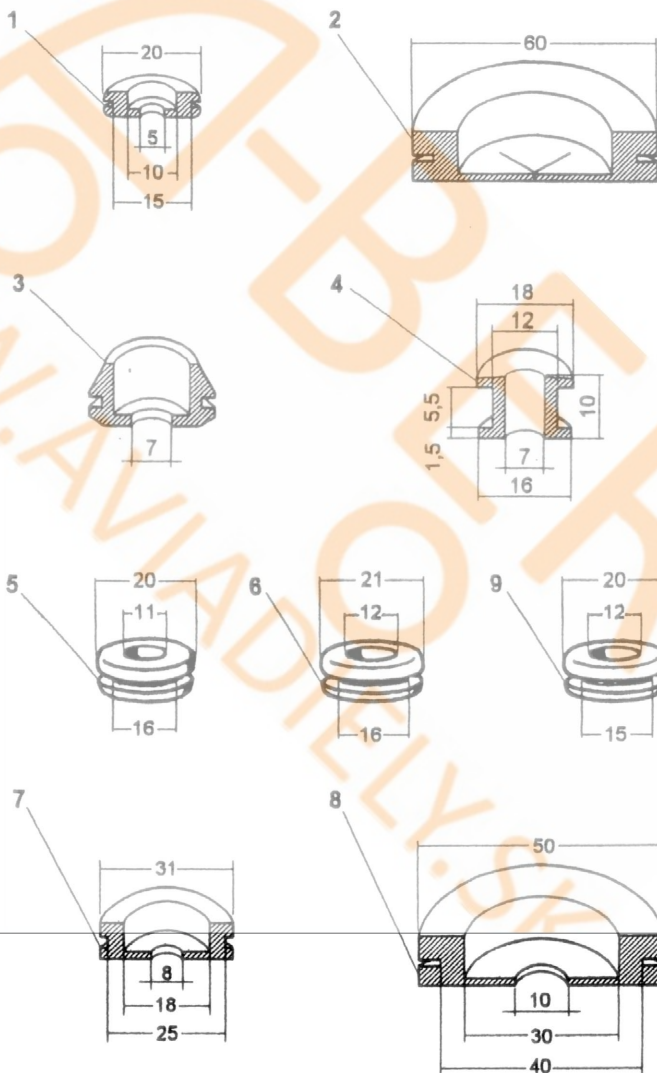
62.20.0



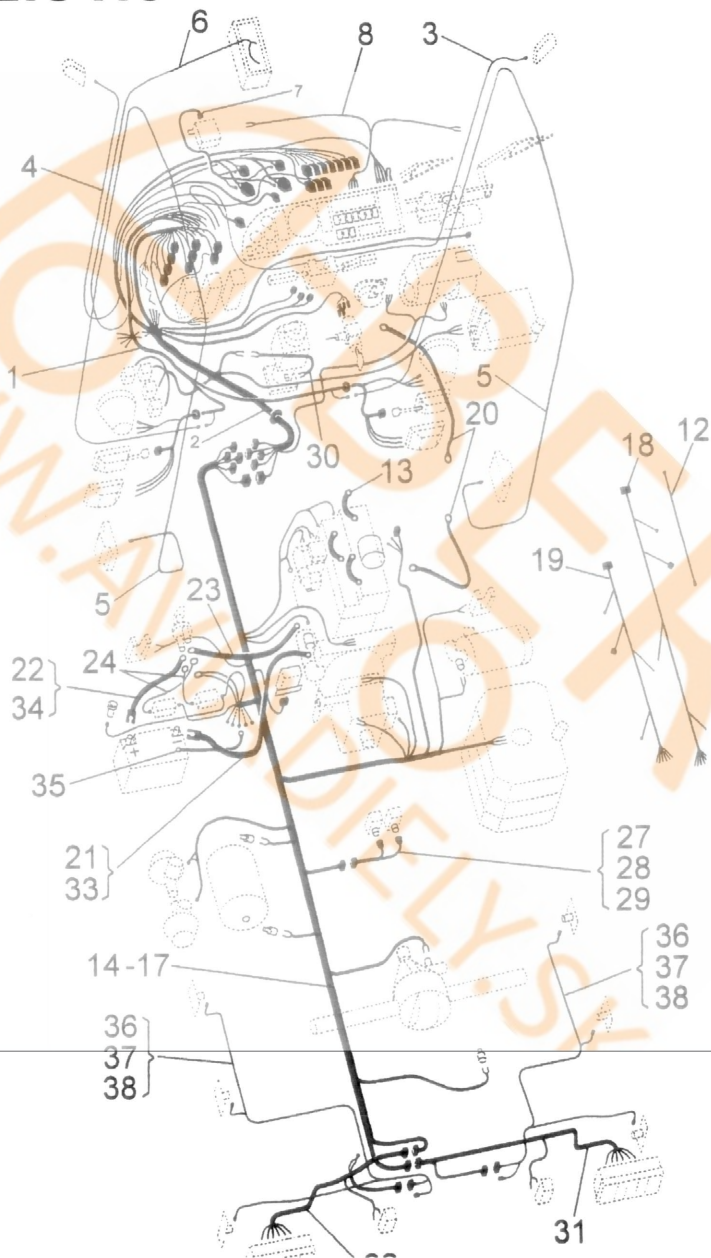
62.25.0



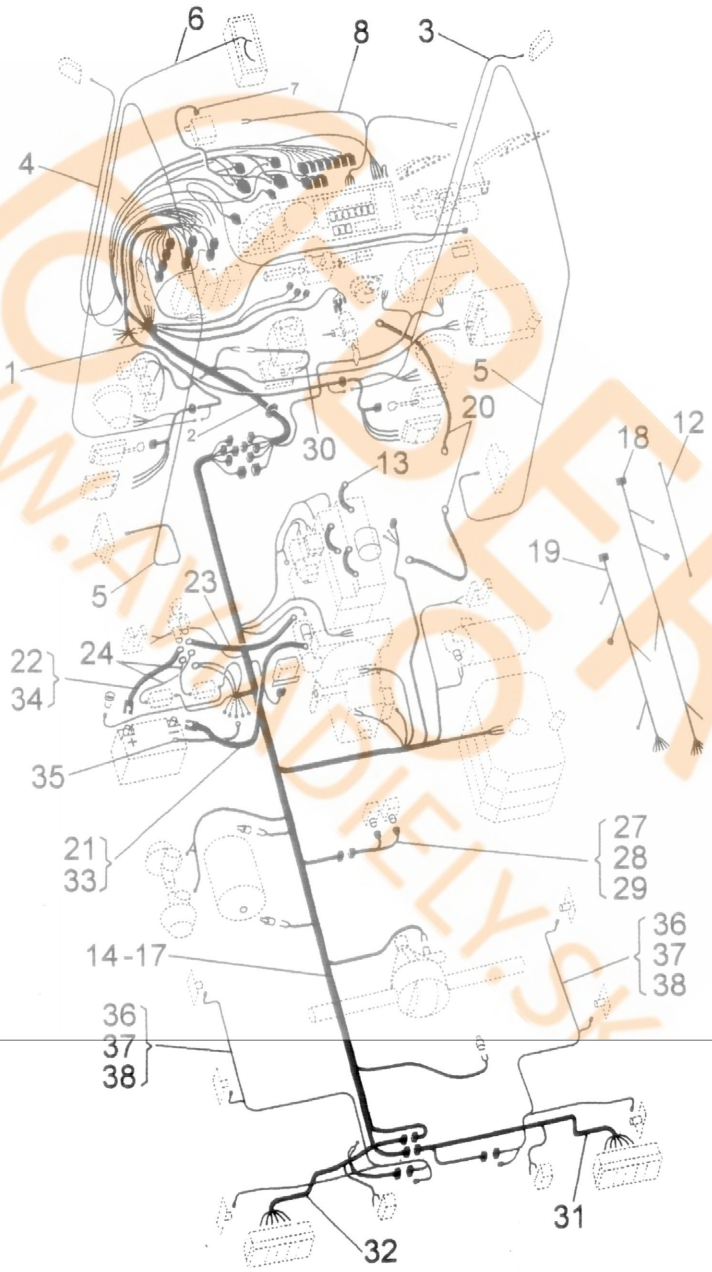
62.30.0



62.51.0



62.51.0



Typ
A6

K
M

1

1

2

2

2

2

2

2

2

2

2

2

2

2

2

2

2

2

2

62.51.0

